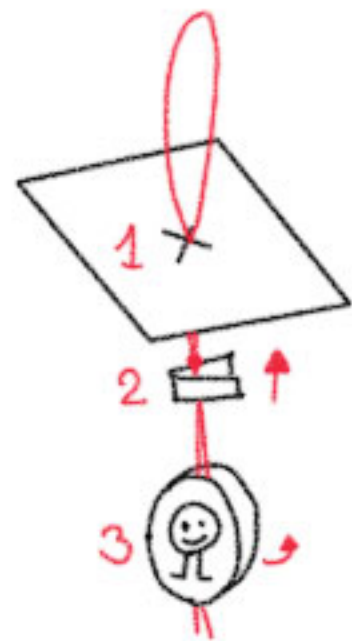
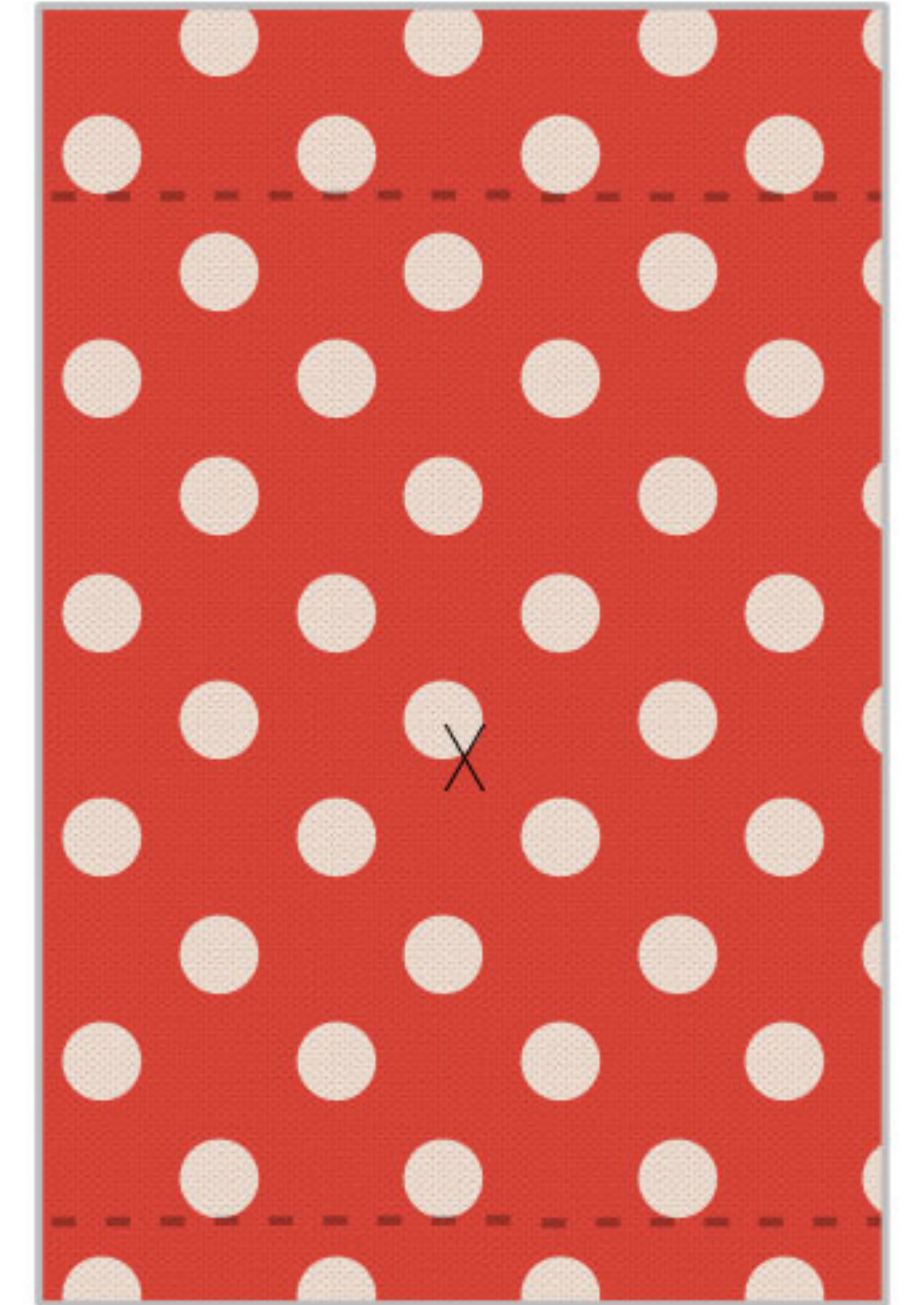
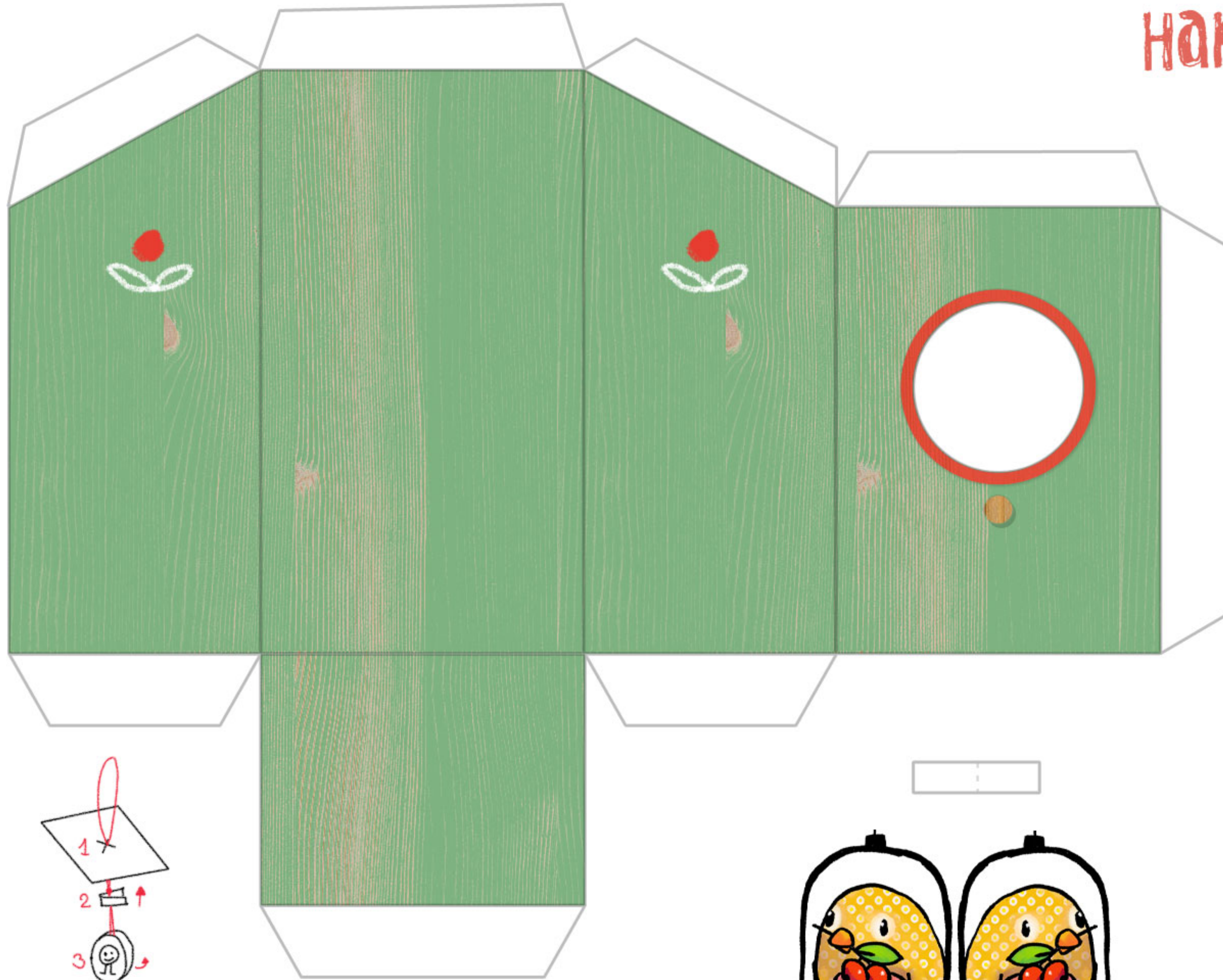
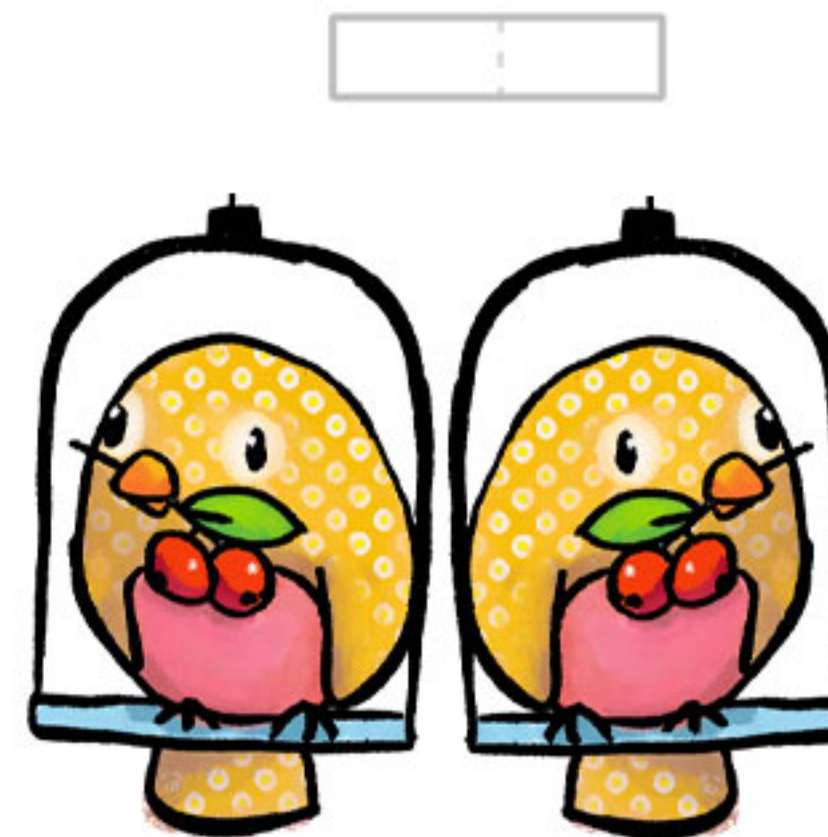


# DEL4YO'S Birdhouse Ornament

## HAPPY HOLIDAYS!



Cut out all the pieces.  
Cut out the X in the roof. Insert a piece of string in the roof,  
Make a knot and glue a small folded piece of paper over the knot.  
Give the character an inch under the knot. Fold and glue the house, add the roof, Hang. Gush.



For personal use only:  
Please don't repost, sell, copy, redistribute  
or use in published projects without  
my authorization:  
del4yo@yahoo.fr