

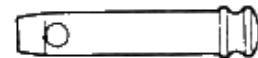
## Pins, Chains, and Side Links



**P-3916** Upper arm pin Pin dia.  $\frac{3}{4}$ " , 12mm thread, 3-9/16" OAL

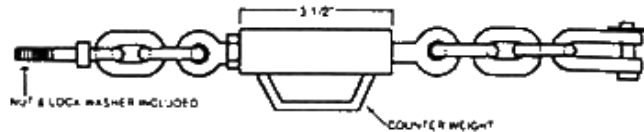
**P-4516** Upper arm pin w/ shoulder,  $\frac{3}{4}$ " pin dia., 16mm thread, 4-5/16" OAL

**P-771** Top link pin  $\frac{3}{4}$ " dia. X 2-3/4" usable length.

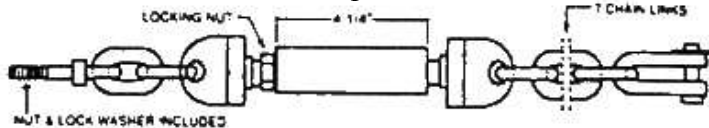


**P-772** Top link pin  $\frac{3}{4}$ " dia. X 3-7/8" usable length.

**P-728** Lift arm pin  $\frac{7}{8}$ " X  $\frac{7}{8}$ " X 5-1/2" OA length.

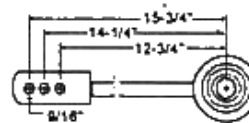


**SC-350** Stabilizer chain 3-1/2" long rd. ctr. tube w/counter wt.

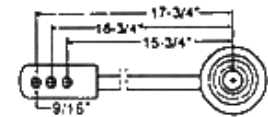


**SC-425** Stabilizer chain 4-1/4" long sq. ctr. tube w/lock nut  
2500, 2700, 3000, 3110, 3220 Repl. 794130-74601

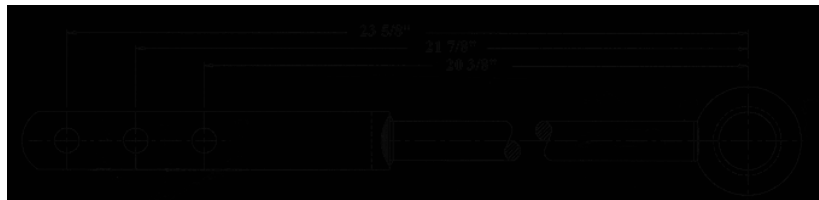
**SL-975** Side link, non adjustable  
w/clevis pin 165, 1700, 2000



**SL-1150** Side link, non adjustable w/  
clevis pin Repl. 194415-72501  
F255, FX255 Repl. 194555-72300



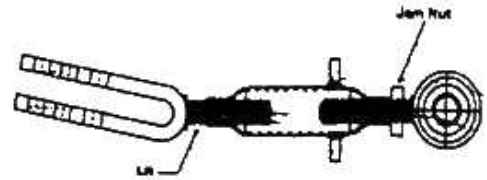
**SL-155** Side link, non adjustable w/clevis pin 3220, 4220,  
FX26, FX28, FX32, FX42 Repl. 194327-72500



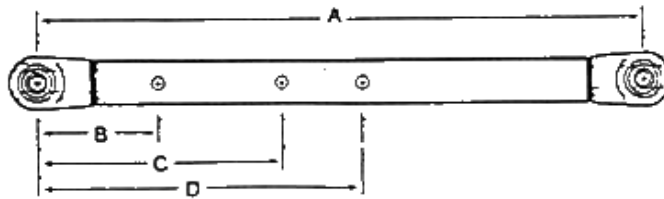
**ASL-750** Adj. Side link – 7-1/2” center tube w/clevis pin

**ASL-950** Adj. Side link – 9-1/2” center tube w/clevis pin

**P-159** Clevis pin w/hair pin clip for ASL-750, ASL-950, SL-155, SL-975, SL-1150 side links



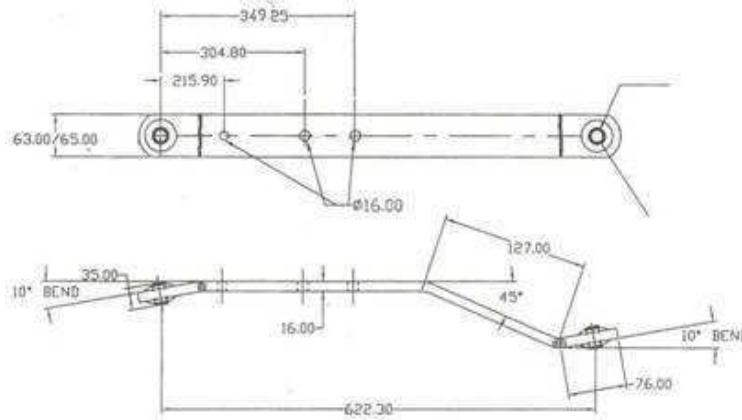
### Lift Arms – CAT. 1 Ends



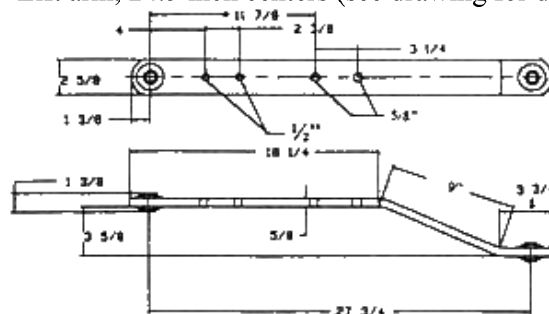
**LA-235** Lift arm A – 23-1/2”, B – 8-1/2”, C – 12”, D – 13-3/4” (5/8” thick)

**LA-275** Lift arm A – 27-1/2”, B – 6”, C – 13”, D – 16” (5/8” thick)

**LA-295** Lift arm A – 29-1/2”, B – 6”, C – 11-3/4”, D – 15-1/2” (5/8” thick)



**LA-245** Lift arm, 24.5 inch centers (see drawing for details)

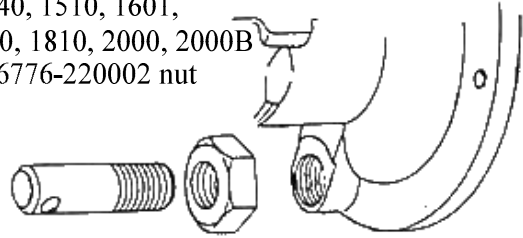


**LA-2775** Lift arm, 27.75 inch centers (see drawing for details)

## Pins

**P-784**

Lower link hinge pin w/nut 195, 240, 1510, 1601,  
1610, 1700, 1702, 1720, YMG1800, 1810, 2000, 2000B  
Replaces 194150-73182 pin and 26776-220002 nut



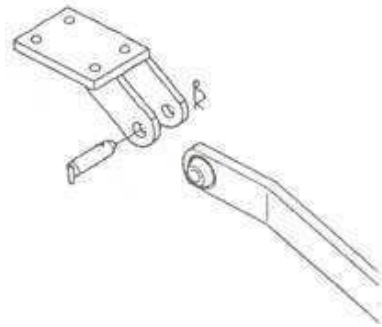
**P-728**

Lift arm pin 7/8" X 7/8" X 5-1/2" OA length

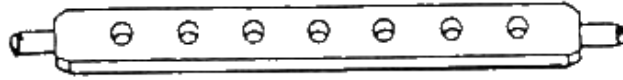


**P-4130**

Lift arm pin w/ hair pin 2500, 2610,  
2620, 2820, 3000, 3110 Repl. 194130-73180



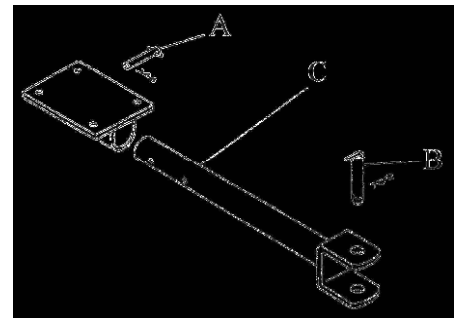
## Draw Bars



**DB-419** Drawbar, for most tractors with 20" lift arm spacing.  
7 hole – Cat. 1, made of 1" X 2-1/2" high carbon steel.

**P-1670** Drawbar retainer pin (16mm dia.) 1610, (A)  
1700, 1702, YMG1800, 1802, 1810, 1820,  
2000, YMG2000, 2001, 2002, 2010, 2020,  
2002, 2210, 2220, 2301, 2310, 2402, 2420,  
F18, FX18, F20, F22, F24, FX26, FX28, F255,  
FX255 Repl. 194150-75740

**P-2290** Drawbar retainer pin (22mm dia.) 2500, 2610, (A)  
2620, 2820, 3000, 3110, 3220, 3810, 4220, FX26,  
FX28, FX32, FX42 Repl. 194145-75240



**P-1670** Drawbar pin (16mm dia.) (B)  
1600, 1900  
Repl. 194150-75740

**P-2290** Drawbar pin (22mm dia.) 1601, 1610, 1702, 1720, 1802, 1810, (B)  
1820, 2001, 2002, 2010, 2020, 2202, 2210, 2220, 2301, 2310,  
2402, 2420, F18, F20, F22, F24, FX26, FX28 Repl. 194145-75240

**DB-4150** Drawbar 1600, 1700, 1900, 2000, 2210 (C)  
Repl. 194150-75710

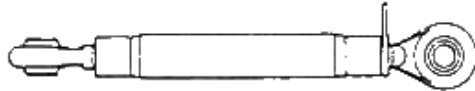
**DB-4420** Drawbar 1601, 1610, 1702, 1720, 1802, 1810, 1820, 2001, (C)  
2002, 2010, 2020, 2202, 2220, 2301, 2310, 2402, 2420  
Repl. 194420-75710

**DB-4145** Drawbar 2500, 2610, 2620, 2820, 3000, 3110, 3220, (C)  
3810, 4220 Repl. 194145-75210

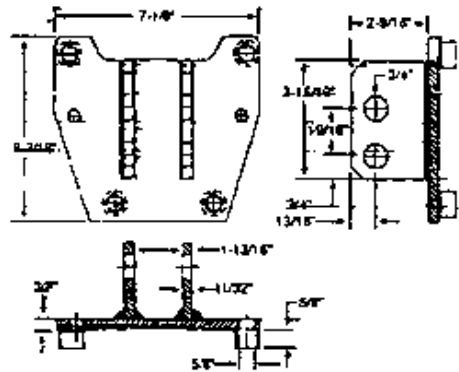
## Top Link and Top Link Brackets

- TL-109**      Top link, Cat. 1, 9" center tube
- TL-111**      Top link, Cat. 1, 11" center tube
- TL-1125**    Top link, Cat. 1, 12-1/2" center tube
- TL-116**      Top link, Cat. 1, 16" center tube

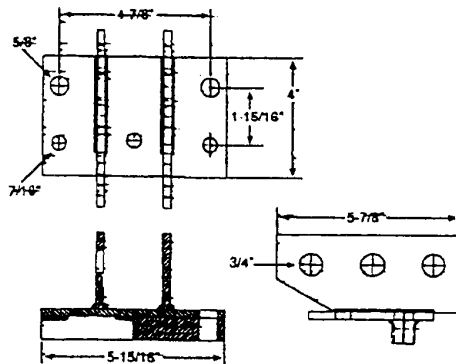
### CATEGORY 1



- TLB-1401**    Top link bracket for 135, 155, 165, 169, 1100, 1300, 1301, 1401, F135, F155 Replaces 194340-10010



- TLB-1510**    Top link bracket for YM1510



## Lynch Pins

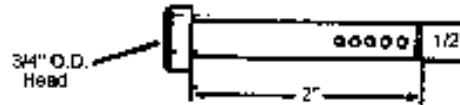
- P-794** Lynch pin – 1/4" dia. pin
- P-7915** Lynch pin – 5/16" dia. pin
- P-791** Lynch pin – 7/16" dia. pin



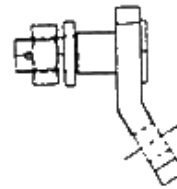
100 per bag  
Sold in multiples of 100

## Clevis Pins and Components

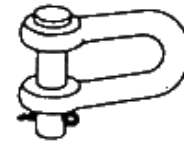
- P-7415** Clevis pin, adj. – 1/2" X 2"



- CE-749** Check chain clevis eyebolt w/nut & washer  
195, 226, 240, 1610, 1700, 1700B, 1702,  
1720, YMG1800, 1802, 1810, 2000,  
YMG2000, 2002, 2010, 2020, 2202, 2210  
Repl. 194150-74910



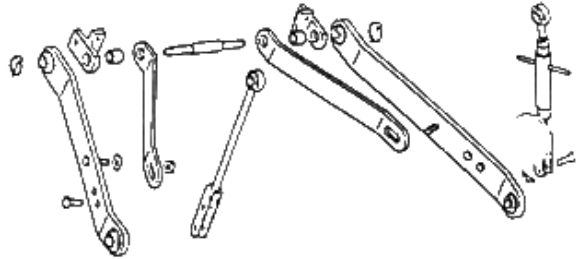
- CL-1548** Clevis, loose pin type, 3/8" body w/ 7/16" pin



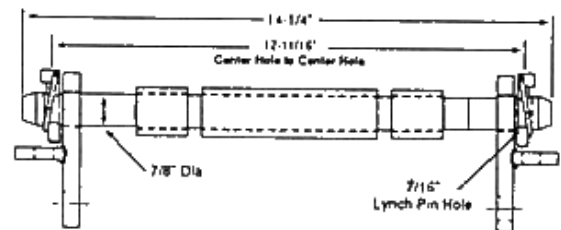
## 3-Point Components for YM1500

**TPH-1500** 3-point hitch kit for **YM1500** consists of:

- 2 - LA-235 Lift arms
- 1 - LLK-1500 Lower link kit
- 2 - SB-1500 Stabilizer arms
- 1 - ASL-750 Adjustable side link
- 1 - SL-975 Non-adjustable side link



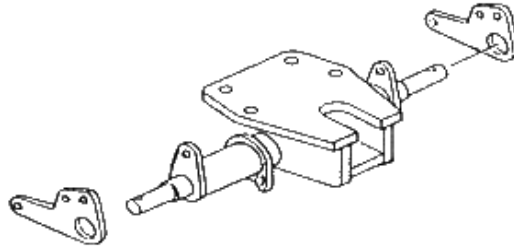
**LLK-1500** Lower link kit for 1500 and others



**SB-1500** Stabilizer arm for 1500  
Replaces 194190-74110

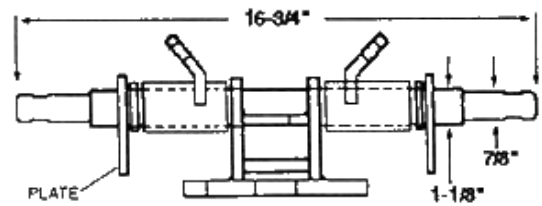


## Lower Hitch Assembly and Components

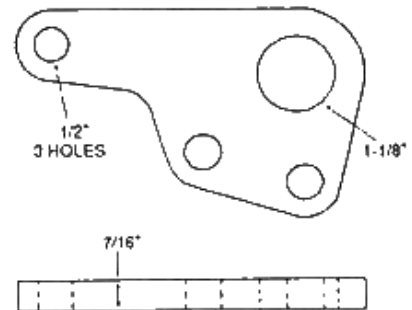


**LLK-1300** Lower hitch assembly for 135, 155, 165, 1100, 1300, 1301, 1401, F14, F15, F155

**2 of H-1300 Hinge plate also required.**  
Repl. 194340-75410 & 194340-75411

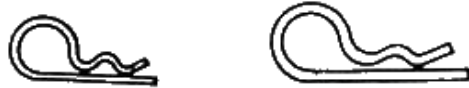


**H-1300** Hinge plate for LLK-1300 (2 required)  
Replaces 194200-75502





## Hair Pin Clips



- P-7920** Hair pin clip – X X small
- P-7922** Hair pin clip – 5/64" (2mm) x 1-21/32" oal
- P-7923** Hair pin clip – 3/32" (2.5mm) x 1-11/16" oal
- P-7924** Hair pin clip – 1/8" (3mm) x 2-1/2" oal
- P-7925** Hair pin clip – 5/32" (4mm) x 3" oal

- P-7927** Hair pin clip- 3/16" (5mm) x 3-15/16" oal  
Special design for tiller spring rod – slightly  
open (as shown) with extended straight pin and  
27mm finger pull hole Repl. 195214-15870

