

SPEED LEVEL  
**SL26SL SL30SL**





SPEED LEVEL

# SL26SL SL30SL



The SL26SL and SL30SL speed level machines feature oscillating axles to keep drive wheels in contact with uneven ground and is designed with high levels of gradeability for tough industrial sites and loading ramps.

## Key features

- Safe and stable working height of up to 11 metres
- Rough terrain features include 4WD and an oscillating front axle
- Great performance with automatic platform levelling on slopes and uneven ground
- These units feature a 4WD drive system with poly filled, high grip tyres designed for rough terrain
- An impressive 70% high level gradeability for tough sites and loading ramps
- Proportional drive/lift controls designed for a smooth and precise operation
- Powered by diesel power
- Large platform area with fold down rails



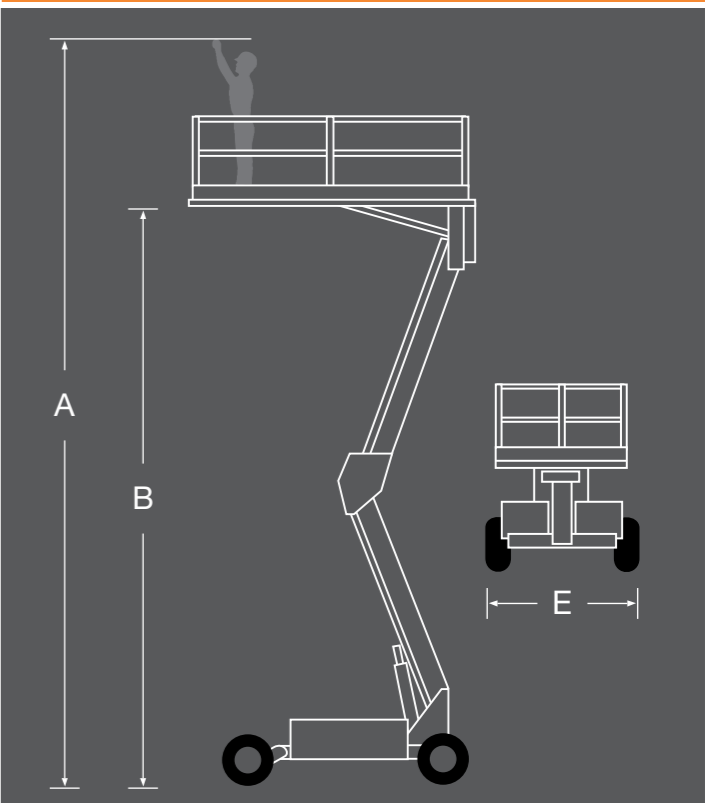
## Standard features

- Diesel power
- Descent alarm
- Hour meter
- Speed level which allows automatic powered platform levelling
- Fold-down guardrails
- A strong oscillating front axle with reinforced pivot boss to prevent cracking
- Poly-filled high grip tyres
- Dual multi disc brakes
- Fully proportional one handed joystick control for drive and lift
- Wired for AC outlet on platform

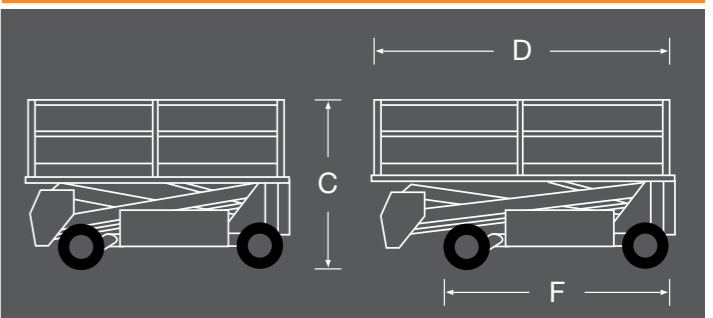
## Additional options

- All motion alarm
- Flashing amber beacon and horn
- Diesel exhaust scrubber
- Environmental green oil
- Special custom colours

## WORKING SPAN



## COMPACT DESIGN



SPEED LEVEL  
SL26SL • SL30SL

# Contact us

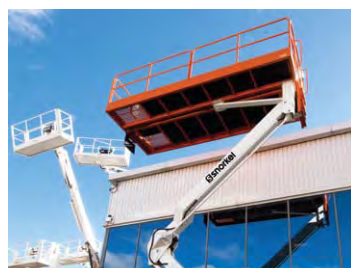
At Snorkel, we've made it easier for you to find the information you need. Speak to us or visit our website [www.snorkellift.com](http://www.snorkellift.com) for more information.

- Sales  
0800 SNORKEL
- Technical support  
0800 766 7535
- Parts and service  
0800 SNORKEL

# Specifications

	SL26SL	SL30SL
Working height <b>A</b>	10.0m	11.0m
Platform height <b>B</b>	8.0m	9.0m
Drive height	8.0m	9.0m
Platform capacity – SWL	680kg	655kg
Platform size – inside guardrails	1.7m x 3.7m	1.7m x 4.2m
Platform size – with deck extended	1.7m x 4.2m	n/a
Stowed height <b>C</b>	2.6m	2.6m
Stowed length <b>D</b>	3.79m	4.39m
Width <b>E</b>	2.13m	2.13m
Wheelbase <b>F</b>	2.54m	2.54m
Height – guardrails folded	1.1m	1.1m
Gross weight	3,150kg	3,151kg
Drive speed – maximum with platform raised	5.0 km/hr 0.8 km/hr	6.0 km/hr 0.8 km/hr
Gradeability	35%	70%
Platform levelling	13° side to side / 9° front to back	13° side to side / 9° front to back
Inside turning radius	3.9m	3.9m
Axle ground clearance	200mm	200mm
Chassis ground clearance	320mm	350mm
Lift speed – raise / lower	21 / 32 sec	26 / 36 sec
Drive system	Four wheel with hydraulic motors	Four wheel with hydraulic motors
Tyres	26 x 12.00 – 12 NHS. Super Terra-Grip, poly-filled.	
Parking brake	Spring applied / hydraulically released, multiple disc.	
Control system	Proportional one handed joystick control with thumb rocker steering. Automatic levelling control. (Inoperable above interlock height).	
Power source	Perkins diesel, water cooled engine.	

**DANGER:** Models described in this brochure are NON-INSULATED and do not provide electrocution protection from contact with or close proximity to energised conductors which is pointed out on decals and placards attached to the machine. Only qualified and trained operators are to be authorised to use and operate a work platform. Aerial work platforms must be elevated only on firm, level surface. Products in this brochure comply with applicable ANSI Standards. This literature is for illustrative purposes only. Consult Operating Maintenance and Parts Manuals for proper procedures. Specifications may vary and are subject to change without notice or obligation.



DEALER STICKER

