



**FREDRICKS
IMPORTING**

[JOHN DEERE PARTS CATALOG]

Pricing – Freight – Returns

PRICES ARE SUBJECT TO CHANGE WITHOUT NOTICE

Payment: We accept Visa, MasterCard, Discover and American Express. UPS fee for COD shipments is \$10.00. This does not include the shipping charges.

Freight policy: **Effective January 1, 2010**
Order values of \$2,750.00 or more (new parts only for **JD & Yanmar**) will be freight PREPAID, Eastern & Central time zones. Pacific and Western time zones are PREPAID on order values of \$3,750.00 or more. The title of the product, and inherent risk of loss, will transfer to the customer upon shipment from our warehouse. Claims for product damages or lost in transit are the responsibility of the buyer and should be filed with the carrier immediately.

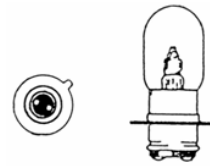
Returned goods: All returns must be authorized by Fredricks Importing, Inc. and must be in good condition. Used or installed parts will not be accepted. Parts must be returned within 30 days of purchase and be PREPAID. Returned goods subject to 25% handling charge. Returns including cores must be totally assembled. Disassembled items will not be accepted. Cores must be in condition to be rebuilt. Electrical parts are not returnable.

NOTE: OEM part numbers are used for identification and reference only.

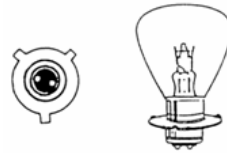
PARTS for JOHN DEERE

Headlights and Bulbs

LB-4155 Head light bulb 850, 950, 1050,
1250, 1450, 1650 Repl. CH11439



LB-4262 Head light bulb 650, 750
Repl. CH15208



HL-4201 Head light assembly 650, 750
Repl. CH18025



HL-4145 Head light assembly 850, 950, 1050
1250, 1450, 1650 Repl. CH11323



Turn Signal Switch

TSS-4080 Turn signal switch 670, 770 Repl. M805412



TSS-4080 Turn signal switch 850, 950, 1050
Will repl. M800365 by removing bullet type wire
connecters & replace with ring, hook or spade terminals

Fender lights

FL-4150 Fender light, two bolt mount, 1-3/4" center,
amber lens



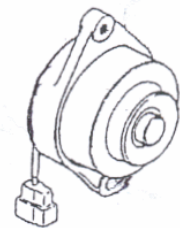
FL-4440 Fender light, post mount, amber lens
(approx. 2-1/4" dia.)

FL-6012 Fender light, post mount, amber lens
(approx. 3-1/4" dia.)



ALTERNATOR

AL-1215 Alternator, 12V – 15 Amp, 650, 750
Repl. MIA10312 (old # CH15587)

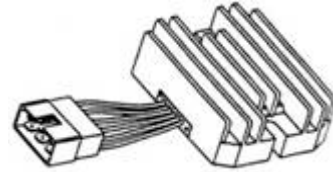


AL-1235 Alternator, 12V – Fits: 850, 950, 1050, 1250, 1450
Repl: TY6647, CH10493



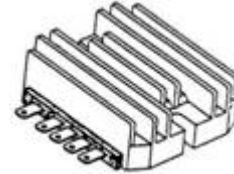
Voltage Regulator

VR-550 Voltage regulator, **6-plug** 850, 950, 1050, 1250, 1450, 1650 Repl. CH12806



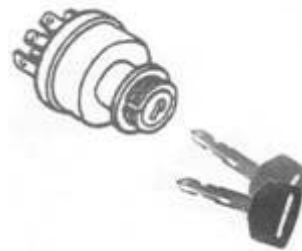
Voltage regulator, **6-plug** 650, 750
Repl. M802471 (old # CH15589)

VR-150 Voltage regulator – 20 amp 670, 770, 870, 970, 1070; F915 Commercial Mower; 322, 330, 332 Garden Tractors Repl. AM101406



Ignition Switch

IS-52110 Ignition switch 650, 750, 850, 950, 1050
Repl. CH11696



IK-5216 Ignition (double cut flat steel) **KEY** only
for IS-52110 Repl. CH12206

Indicator Lamp Assembly

ILA-4151 Indicator lamp assembly 850, 950, 1050
Repl. CH11893

Hour Meter Cable

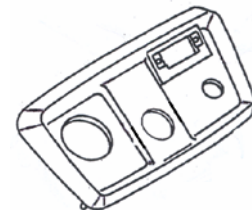
HMC-4167 Hour meter cable 655, 755 Repl. AM875587
Approx. 48" long



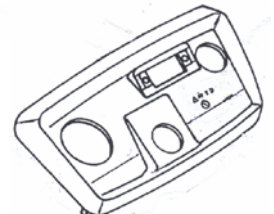
HMC-4275 Hour meter cable 650, 670, 750, 770, 850, 855, 950, 955, 1050 Repl. CH12241 (old # AM875588)
Approx. 54-1/2" long

Dash Board Panel

DBP-8595 Dash board panel early 850 & early 950
Repl. AM878226 (old # CH12257)



DBP-1050 Dash board panel with fuel gauge opening
850, 950, 1050 Repl. CH19206





| Model | Part # Standard | Replaces Standard | Part # .010 | Replaces .25 under | Part # .030 .75 under |
|--|----------------------------|------------------------------|--------------------|-------------------------------|----------------------------------|
| 650 | | | | | |
| Front main | MB-152 | CH15398 | MB-152A | CH17660 | MB-152C |
| Center main - flanged | MB-355 | AM876251 | MB-355A | AM876249 | MB-355C |
| Rear main | MB-555 | CH15399 | MB-555A | CH17661 | MB-555C |
| Rod bearing | RB-55 | AM876252 | RB-55A | AM876250 | RB-55C |
| 750 | | | | | |
| Front main | MB-152 | CH15398 | MB-152A | CH17660 | MB-152C |
| 2nd main | MB-255 | AM876257 | MB-255A | AM876258 | MB-255C |
| 3rd main - flanged | MB-355 | AM876251 | MB-355A | AM876249 | MB-355C |
| Rear main | MB-555 | CH15399 | MB-555A | CH17661 | MB-555C |
| Rod bearing | RB-55 | AM876252 | RB-55A | AM876250 | RB-55C |
| 850 | | | | | |
| Front main | MB-516 | CH10338 | MB-516A | CH17665 | MB-516C |
| 2nd main | MB-315 | AM875925 | MB-315A | AM875931 | MB-315C |
| 3rd main - flanged | MB-215 | AM875926 | MB-215A | AM875932 | MB-215C |
| Rear main | MB-516 | CH10338 | MB-516A | CH17665 | MB-516C |
| Rod bearing | RB-16 | AM875927 | RB-16A | AM875933 | RB-16C |
| 950 / 1050 | | | | | |
| Front main | MB-525 | CH20066 | MB-525A | CH17673 | MB-525C |
| 2nd main | MB-225 | AM875929 | MB-225A | AM875936 | MB-225C |
| 3rd main - flanged | MB-325 | AM875928 | MB-325A | AM875935 | MB-325C |
| Rear main | MB-425 | CH20067 | MB-425A | CH17675 | MB-425C |
| Rod bearing | RB-45 | AM875930 | RB-45A | AM875937 | RB-45C |
| 770 / 790 / 870 / 955 / 970 / 1070 / 3320 / 3520 / 4300 / 4310 / 4500 / 4600 / 4700 | | | | | |
| Main bearing | MB-9150 | AM875371 | MB-9150A | AM875374 | MB-9150C |
| Rod bearing - JD3203 | RB-9150 | AM875392 | RB-9150A | AM875395 | RB-9150C |

TB-150 Thrust bearing set (2 pieces) 770, 790 w/3TNE84, 870, 955, 970, 1070, 3120, 3203, 3320, 3520, 4300, 4310, 4500, 4600, 4700

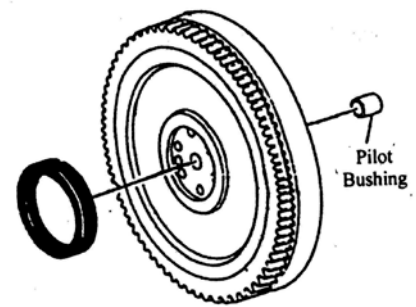
Repl. AM875373 & MIA880555

NOTE: Order 2 for one engine

PILOT BUSHINGS

PB-4450 Pilot bushing 650, 670, 750, 770, 790,
850 up to SN# 016001, 950
Repl. CH10408

6203-2RS Pilot Bearing, 850 Sn# 016002 and up.



Connecting Rod w/ piston pin bushing

CR-215 Connecting rod w/ bushing 850 Repl. CH10682

CR-375 Connecting rod w/ bushing 650, 750 Repl. CH15609

CR-384 Connecting rod w/ bushing 950, 1050 Repl. CH10683

CR-9150 Connecting rod w/ bushing 770, 870, 955, 970, 1070,
4500, 4600, 4700 Repl. AM875391



Piston Pin Bushing

PPB-4060 Piston pin bushing 650, 750 Repl. M808605 (old # CH15482)

PPB-4160 Piston pin bushing 850 Repl. CH10357

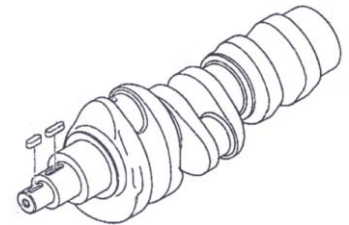
PPB-4450 Piston pin bushing 950, 1050 Repl. M806859

PPB-9100 Piston pin bushing 770, 870, 955, 970, 1070, 4300, 4500,
4600, 4700 Repl. M801256

Crankshaft

CS-380 Crankshaft w/keys 850 Repl. CH10659

CS-384 Crankshaft w/keys 950, 1050 Repl. CH20055





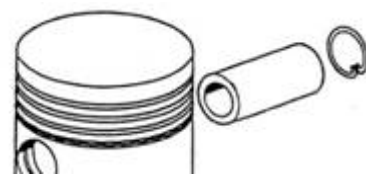
FRONT CRANKSHAFT SEALS

- CS-3154** Front crank seal 850, 950, 1050 Repl. CH10390
- CS-1450** Front crank seal 650, 750 Repl. CH15390
- CS-9795** Front crank seal 770, 790, 855, 870, 955, 970, 990, 1070, 4200, 4300, 4310, 4400, 4410, 4500, 4510, 4600, 4610, 4700, 4710 Repl. M800988

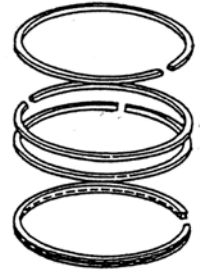
REAR CRANKSHAFT SEALS

- CS-1250** Rear crank seal 950, 1050 Repl. CH10191
- CS-1551** Rear crank seal 650, 750 Repl. CH15402
- CS-4085** Rear crank seal 655, 670, 755, **JD** 2210, 2305, 2320, 4100 Repl. M801941 (old # M87809)
- CS-4160** Rear crank seal 850 Repl. CH10340
- CS-9120** Rear crank seal 770, 790, 870, 955, 970, 990, 1070, 2520, 3120, 3203, 3320, 3520, 3720, 4200, 4300, 4310, 4400, 4410, 4500, 4510, 4600, 4610, 4700, 4710 Repl. M805278

- WS-80** Wet sleeve w/o'rings **850** Repl. CH13597
- OR-1300** O'ring for WS-80 Repl. CH10327
- WS-90** Wet sleeve w/o'rings **950** Repl. CH13598
- OR-1000** O'ring for WS-90 Repl. CH16109



- EP-1567** Piston w/ pin & clips **650, 750** Repl. CH15479 (80mm)
RS-520 Ring set – STD. **650, 750** Repl. CH15608 (80mm)
- EP-1567A** 0.25mm OS piston w/ pin & clips **650, 750** Repl. CH15622
RS-520A 0.25mm OS ring set **650, 750** Repl. CH15621
- EP-1567B** 0.50mm OS piston w/ pin & clips **650, 750**
RS-520B 0.50mm OS ring set **650 750**
- EP-4160** Piston w/ pin & clips **850** Repl. CH10355 (80mm)
RS-300 Ring set **850** Repl. CH12046
- EP-4763** Piston w/ pin & clips **950** Repl. CH11803 (90mm)
RS-763 Ring set **950** Repl. CH12053
- RS-350** Ring set, STD 870, 1070 Repl. AM877273 (84mm)
- RS-350A** Ring set, 0.25 mm OS 870, 1070 Repl. AM877294
- RS-350B** Ring set, 0.50 mm OS 870, 1070 Repl. AM878245
- RS-351** Ring set, STD 770, 970 Repl. AM875390 (82mm)
- RS-351A** Ring set, 0.25 mm OS 770, 970 Repl. AM875394
- RS-351B** Ring set, 0.50 mm OS 770, 970 Repl. AM878243

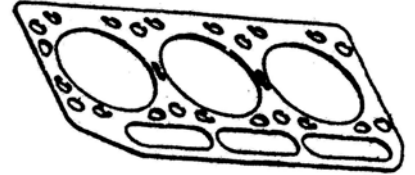


FOR JD 1050

Must purchase EP-4763 piston and RS-763 ring set together as our ring set does NOT have the keystone type top ring.

Head Gasket

- HG-650** Head gasket 650 (2T80UJ eng) Repl. MIU10631 (old # M802217)
- HG-655** Head gasket 655 Repl. M800004 (old # M801790)
- HG-567** Head gasket 750 Repl. M802218 (old # CH15372)
- HG-755** Head gasket 670, 755 Repl. M807297 (old # M87853 & M805694)
- HG-156** Head gasket 770 Repl. M805831
- HG-150** Head gasket 850 Repl. MIU800109 (old # CH10115)
- HG-865** Head gasket 855, 856 Repl. M805845
- HG-157** Head gasket 870, 955 Repl. M805837 (old # M804333)
- HG-950** Head gasket 950, 1050 thru engine **SN 089472** Repl. M808712
- HG-970** Head gasket 970 Repl. M805849 (old # M801187)
- HG-1070** Head gasket 1070 Repl. M805850 (old # M804334)



Valve Cover Gasket

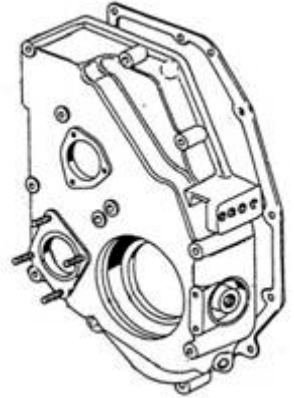
- VCG-650** Valve cover gasket 650 Repl. CH15429
- VCG-1550** Valve cover gasket 750 Repl. CH15431
- VCG-1150** Valve cover gasket 850 Repl. CH10129
- VCG-1250** Valve cover gasket 950, 1050 Repl. CH13884
- VCG-9150** Valve cover gasket 790, 870, 955, 4300 Repl. M801741
- VCG-9550** Valve cover gasket 970, 1070, 4500, 4600, 4700 Repl. M801230



Front Cover Gasket

FCG-4450 Front cover gasket 850, 950, 1050 Repl. CH12819

FCG-1450 Front cover gasket 650, 750 Repl. CH15386



Main Bearing Housing Gasket

MBHG-4160 Main brg housing gasket 850 Repl. CH10339

MBHG-4460 Main brg housing gasket 950, 1050 Repl. CH10445

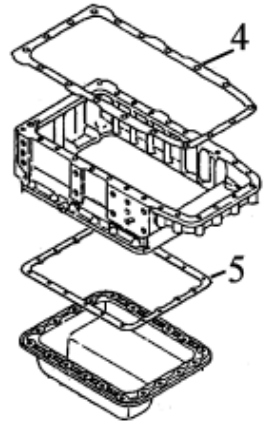
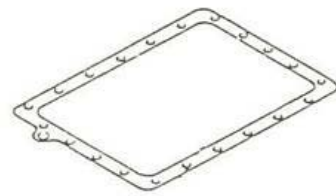
MBHG-9150 Main brg housing gasket 770, 855, 856, 870, 955,
970, 1070 Repl. M801204



OR-1350 Main brg housing O-ring 650, 750 Repl. CH15404

Oil Pan Gaskets

- OPG-1150** Oil pan gasket 850 Repl. M811637 & CH12820
- OPG-1250** Oil pan gasket 950, 1050 Repl. M811638 & CH12821
- OPG-1575** Oil pan gasket 750 Repl. M806944 (old # CH15376)
- OPG-650** Oil pan gasket 650 Repl. M810522 (old # CH15375)
- OPG-1730** Oil pan gasket (**UPPER**) 955, 970, 1070 (**4**)
- OPG-9550** Oil pan gasket (**LOWER**) 955, 970, 1070 (**5**)



Oil Pumps

- OP-1423** Oil pump 850, 950, 1050 Repl. CH20064
- OPG-3202** Oil pump gasket for **OP-1423** applications Repl. CH10414
- OP-9350** Oil pump 650, 750 Repl. CH15617
- OPG-1450** Gasket for **OP-9350** oil pump Repl. CH15492
- OP-9553** Oil pump: Compact Utility Tractors 3036E, 3038E, 3520, 3720, 4105 Repl. RG60604
- OPG-9150** Gasket for OP-9553 Repl. M801005



Oil Pressure Sending Switch

- OP-39450** Oil pressure sending switch 650, 750 Repl. CH15500



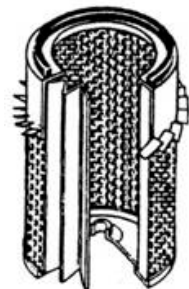
Oil Filter

- OF-4085** Oil filter, spin-on – **3.75" tall** 650, 750, 850, 855, 856, 950, 1050 Repl. M801002



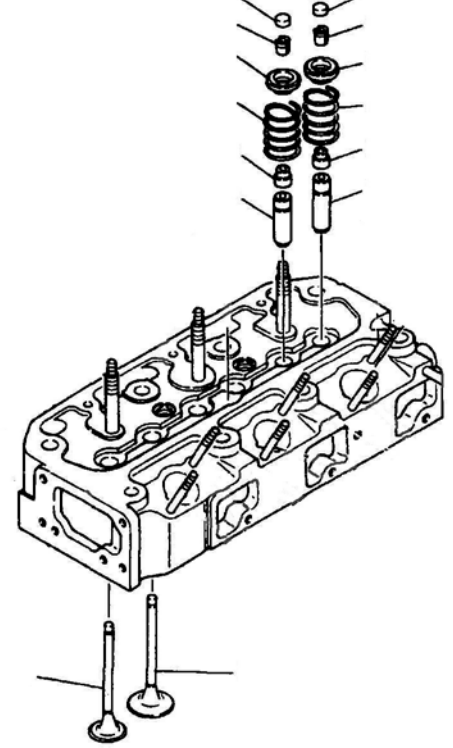
Air Filters

- AF-2276** Air filter w/fin125 & 170 Skid Steer Loaders Repl. AH19847; **850, 950, 1050** & Excavators 25, 30, 50 Repl. CH12767
- AF-6270** Air filter w/fin 650, 655, 750, 756 Repl. CH15451



Valve Train Parts

| | |
|----------------|---|
| IV-1218 | Valve, intake 850 Repl. CH10055 |
| EV-1218 | Valve, exhaust 850 Repl. CH10056 |
| IV-1422 | Intake valve 1050 before SN 11,000 Repl. CH15724 |
| EV-1422 | Exhaust valve 1050 Repl. CH15725 |
| IV-4600 | Valve, intake 950 Repl. CH10094 |
| EV-4600 | Valve, exhaust 950 Repl. CH10095 |
| IV-9100 | Valve, intake 770, 870, 955, 970, 1070, 4300, 4500 4600 Repl. M801220 |
| EV-9100 | Valve, exhaust 770, 870, 970, 1070, 4300, 4400, 4500, 4600 Repl. M811796 (old # M801221) |
| IG-1180 | Guide, intake 650, 750; Intake & Exhaust 855, 856, 4200, 4300, 4400 Repl. CH16041 |
| EG-1181 | Guide, exhaust 650, 750 Repl. CH16042 |
| IG-4160 | Guide, intake 850 Repl. CH16043 |
| EG-4160 | Guide, exhaust 850 Repl. CH16044 |
| IG-4450 | Guide, intake 770, 790, 870, 950, 955, 970, 1050, 1070, 4300, 4500, 4600, 4700 Repl. M801227 (old # CH16045) |
| EG-4450 | Guide, exhaust 950, 1050 Repl. CH19595 (old # CH16046) 770, 790, 870, 955, 970, 1070, 4300, 4500, 4600, 4700 Repl. M801228 |
| VS-4460 | Valve stem seal, intake & exhaust 950, 1050; Intake only 770, 790, 870, 955, 970, 1070, 4300, 4500, 4600, 4700 Repl. CH10450 |
| VS-1400 | Valve stem seal, exhaust 770, 790, 870, 970, 1070, 4300, 4500, 4600, 4700 Repl. T110650 |
| VS-4160 | Valve stem seal, intake & exhaust 650, 670, 750, 755, 756, 850, 855, 856, 2210, 4200, 4300, 4400 Repl. CH10346 (old # CH15432) |
| VS-4211 | Valve spring 850 Repl. CH10086 |
| VS-4060 | Valve spring 650, 750 Repl. CH15417 |
| VS-4511 | Valve spring 950, 1050 Repl. CH10093 |
| VS-9795 | Valve spring 770, 790, 870, 955, 970, 1070, 4300, 4500, 4600, 4700 Repl. M801222 |



Water Pumps



WP-2000 Water pump 850, 950, 1050 Repl. CH12859

WPG-2000 Gasket water pump to back plate 850, 950
1050 Repl. CH10490

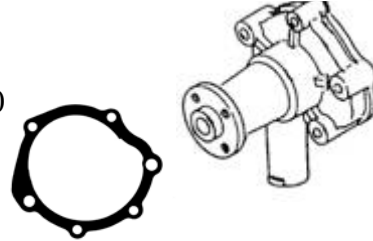


WPG-4450 Gasket, back plate to head 850, 950, 1050 Repl. CH10420



WP-4201 Water pump 650, 750 Repl. CH15502

WPG-1450 Gasket, water pump to back plate 650, 750
Repl. CH15506



WPG-4441 Gasket, back plate to head 650, 750
Repl. CH15508

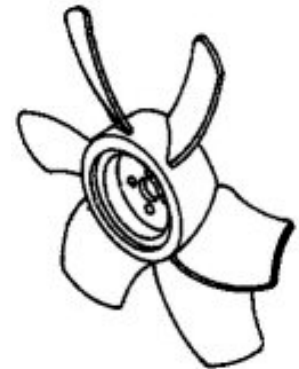


WPP-4235 Water pump pulley 850, 950, 1050
Repl. CH10491



WP-9107 Water Pump, 770, 790, 870, 970, 990, 1070
Repl: AM881340, M805843, M876341
Includes WPG-9150 and TG-9350

WPG-9150 Gasket, water pump, 770, 790, 870, 970, 990, 1070
Repl: M809668, M801084



Radiator Cooling Fan

CF-4474 Fan 650 Repl. CH15515; 655, 670, 750 Repl. CH16048

Thermostat

HT-9350 Thermostat 650, 670, 750, 755, 850, 950,
1050 Repl. CH15536



TG-9350 Gasket, thermostat 650, 670, 750, 755,
850, 950, 1050 Repl. M805702 (old # CH16026)

Temperature sending switch

TS-44901 Temp sending switch for tractors w/warning light
650, 655, 750, 755, 850, 855, 950, 955, 1050 Repl. CH15516



Fan Belts

FB-35 Fan belt 650, 750 Repl. CH18206

FB-36 Fan belt 850 before SN 007760 Repl. CH10154

FB-39 Fan belt 850 SN 007761 & up Repl. CH14022

FB-37 Fan belt 950 before SN 010859 Repl. CH10367

FB-40 Fan belt 950 SN 010860 & up, 1050 Repl. CH12865;
870, 970, 1070 Repl. M808685 (old # M802627)

FB-38 Fan belt 855, 856 Repl. M805441

FB-40 Fan belt 770, 870, 970, 1070 Repl. M808685 (old # M802627)



Radiator Hoses

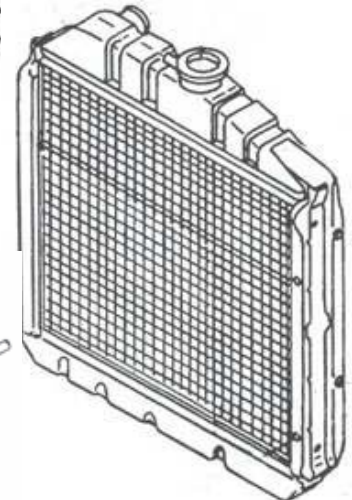
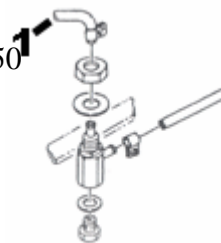


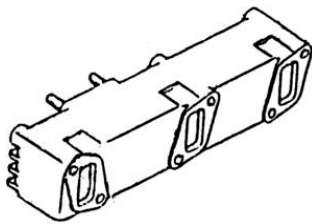
- RH-4902** Lower radiator hose 650, 750 Repl. CH15529
- RH-4903** Bypass hose 650, 750 Repl. CH15530
- RH-4761** Upper radiator hose 650, 750 Repl. CH15528
- RH-9150** Lower radiator hose 770, 790 Repl. M802634
- RH-1150** Bypass hose 850 -007760 Repl. CH10159
- RH-4460** Upper radiator hose 850 sn 007761-
Repl. CH13960 (old # CH14029)
- RH-336** Upper radiator hose 850 -007760 Repl. CH11773
- RH-4761** Lower radiator hose 850 Repl. CH14030
- RH-1254** Lower radiator hose 950 -010859 Repl CH10310
- RH-3810** Lower radiator hose 950 SN 010860-020000 Repl. CH14034
- RH-1250** Bypass hose 950 -010859 Repl. CH10270
- RH-1252** Bypass hose 950 sn 010860 & up, 1050 Repl. CH13628
- RH-4460** Upper radiator hose 950 sn 010860 - 020000
Repl. CH13960 (old # CH14033); sn 020001 & up Repl. CH19298
- RH-4460** Upper radiator hose 1050 Repl. CH13960 (old # CH14029)
- RH-1252** Bypass hose 1050 Repl. CH13628
- OFT-4450** Round over-flow tank w/cap 850, 870, 950, 970,
990 -590000 sn, 1050, 1070 Repl. CH12866;
670, 770 Repl CH15518
- RA-4450** Radiator 850 Repl. CH19293 (old # CH14024)



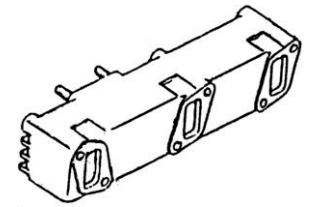
Radiator Drain Cock Assembly

- RD-1250** Drain cock (3 way) assembly 850, 950, 1050
Repl. CH10272





Manifolds, Muffler & Gaskets



EM-1158 Exhaust Manifold 850 Repl. CH12069

MG-150 Manifold to head **gasket**, 850 Repl. CH10142 (3 required)

MG-1250 Manifold to head **gasket**, 950, 1050
Repl. CH10224 (3 required)



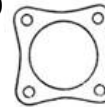
EM-1258 Exhaust Manifold 950 Repl. CH12068

MA-250 Muffler with elbow, mounting flange and pipe
650, 750, 850, 950, 1050 Repl. M802472

WC-3 Weather cap for 1-3/4" pipe
Fits **MA-250**



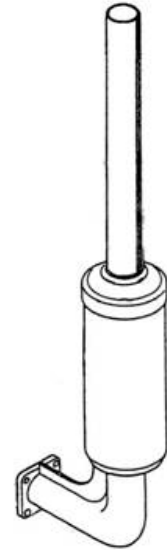
MG-1450 Muffler to manifold **gasket** 650, 750, 850, 950
1050 Repl. CH10403 & CH15915
755, 855 SN-009184 Repl. M805706



MG-1550 **Gasket**, manifold to head 750
Repl. M806016 (old # CH15458)



MG-9150 **Gasket**, manifold to head 870, 955, 970, 1070, 3320,
3520 Repl. M801746



GLOW PLUG

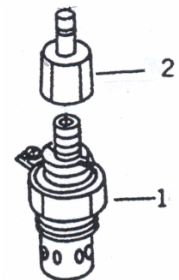
GP-778 Glow plug 670, Compact Utility Models: 2210
Repl. AT110814



THERMOSTART PLUG

TE-4450 Thermostart plug 850, 900HC, 950, 1050 Repl. CH14079; (1)
650, 750 Repl. CH15593

TE-766 Adaptor for TE-4450 Repl. CH10459 (2)



THERMOSTART TANK

HT-1750 Thermostart tank assembly 650, 750, 850,
950, 1050 Repl. CH11796



Injector pump

IP-390 Injection Pump 850 / 950 / 1050 Repl. CH10679

IP-375 Injection Pump 750



Injector parts

IA-4060 Injector assembly 650, 750 Repl. CH15620 (1)

IA-4160 Injector assembly 850 Repl. CH12411 (1)

IA-4770 Injector assembly 950, 1050 Repl. CH10685 (1)



IN-4770 Injector nozzle 650, 750, 850, 950, 1050
Repl. CH10499 (marked **YDN-4SK1 6F**)



IW-3854 Fuel Injection Valve Insulator 650, 750, 850, (1)
950, 1050 Repl. CH10072

GW-1550 Chamber gasket 650, 750 Repl. CH15436 (2)

GW-3288 Chamber gasket 850 Repl. CH10062 (2)

GW-4900 Chamber gasket 950, 1050 Repl. CH10099 (2)



IC-1550 Injector chamber, rear 650, 750 Repl. CH15434 (3)

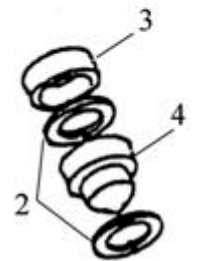
IC-1400 Injector chamber, front 650, 750 Repl. CH15435 (4)

IC-1141 Injector chamber, rear 950, 1050 Repl. CH11763 (3)

IC-4450 Injector chamber, front 950 Repl. CH16008 (4)

IC-4400 Inj. chamber, rear 850 Repl. CH10092 (3)

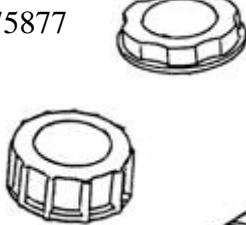
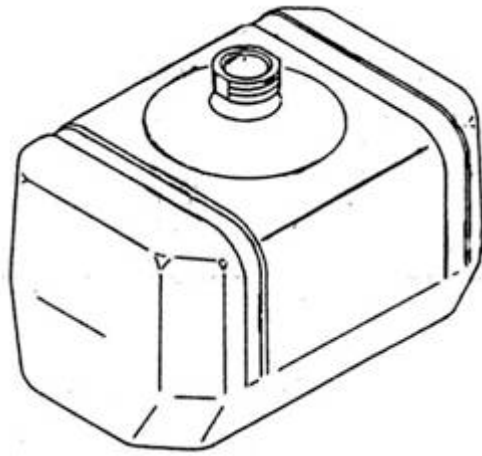
IC-4160 Inj. chamber, front 850 Repl. CH14169 (4)



FLP-414 Copper packing (fuel) 750, 850 Repl. CH12807

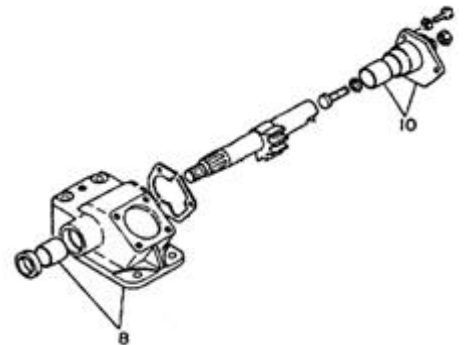
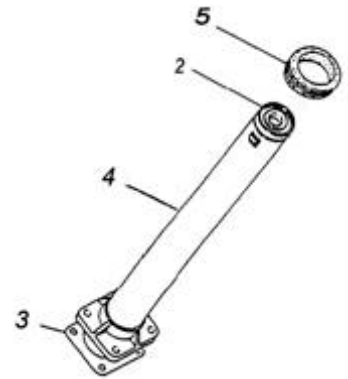
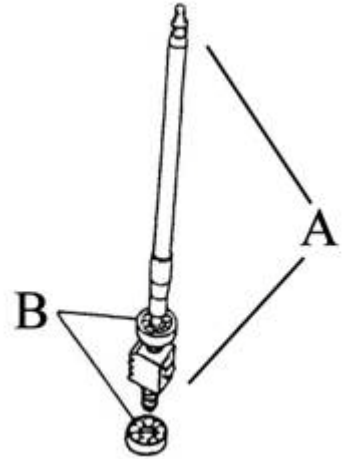
FLP-4200 Copper packing (fuel) 750, 850 Repl. CH10085

Fuel System Parts

| | | |
|----------------|---|---|
| TC-5504 | Fuel tank cap (Metal) 1050 Repl. AM875877 |  |
| TC-155 | Fuel tank cap (Plastic) 850, 950, 1050 Repl. CH20242 (old # CH17086) | |
| TC-4145 | Fuel tank cap with float gage. 650, 750 Repl. CH15741 |  |
| FT-32 | Fuel tank 1050 Repl. CH13281 | |
| P-4060 | Fuel bleeder plug Repl. CH10319 (5) | |
| PG-3418 | Gasket for P-4060 Repl. CH10558 (10) | |
| FB-1 | Fuel bowl 650, 670, 750, 870, 970, 990, (2) 1070 Repl. CH15552 | |
| OR-4321 | O-ring for FB-1 fuel bowl Repl. CH10060 (3) | |
| FF-3262 | Fuel filter, 2.717" tall , 650, 670, 750, 4115 (1) Repl. CH15553 | |
| FF-3263 | Fuel filter, 3.49" tall , 655, 755, 770, 850, (1) 855, 950, 1050, 4210, 4310, 4400 Repl. M801101 (Old # CH10479) | |
| FF-3507 | Fuel filter, 3.50" tall, 1.969" OD 870, 955, (1) 970, 1070 Repl. T111383 | |
| FB-9155 | Fuel bowl 870, 955, 970, 1070 (2) Repl. T111383 | |
| OR-650 | O-ring for FB-9155 fuel bowl Repl. CH17154 (3) | |
| TV-4200 | Taper valve for fuel shutoff 650, 750, 770, (6) 850, 870, 950, 970, 1050, 1070 Repl. CH12734 | |
| H-5534 | Fuel shutoff handle 650, 750, 850, 950, (7) 1050, 1250, 1450, 1650 Repl. CH12735 | |
| TVS-553 | Taper valve spring 850, 870, 950, 970, 1050, (9) 1070 Repl. CH10082 | |
| OR-240 | O'ring for H-5534 handle Repl. CH10571 (4) | |
| FBH-552 | Fuel bowl head 850, 950, 1050 (12) Repl. CH12792 | |
| FBR-250 | Fuel bowl retainer ring 650, 655, 670, 750, 755, 770, 850, 855, (14) 870, 950, 970, 990, 1050, 1070, 1250, 1450, 1650, 4115 Repl. CH10106 | |

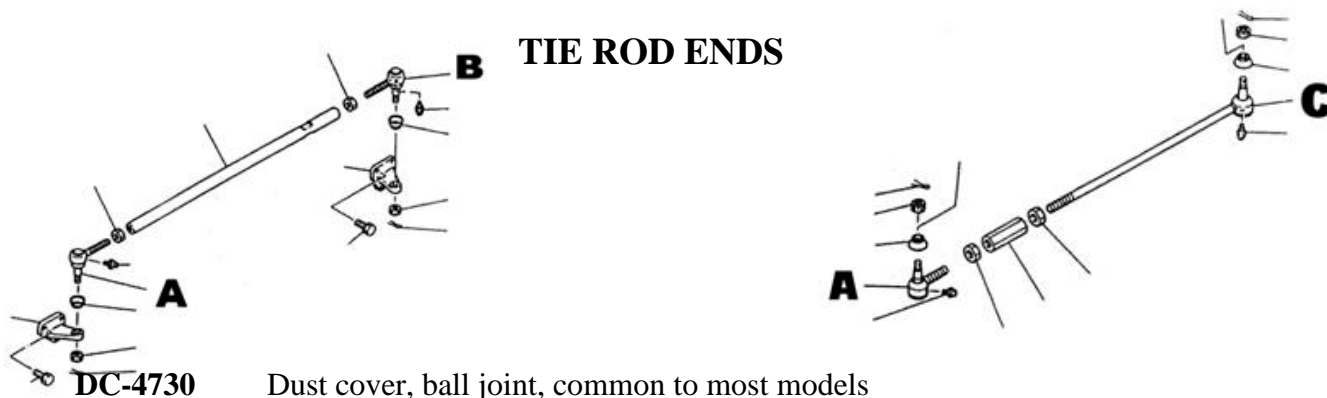
Steering Parts

- | | |
|------------------|--|
| SW-150 | Steering wheel 650, 750 Repl. M119181 |
| SC-2500 | Steering shaft 850, 950 (A) Repl. CH11175 (bearings not included) |
| SB-4145 | Steering shaft bearing 850, 870, 950, (B) 970, 1050 Repl. CH11171 |
| SC-1550 | Steering shaft 650, 750 Repl. CH14731 (A) (bearings not included) |
| WK-519 | Strg shaft woodruff key 650, 750 Repl. 26M4226 |
| SB-750 | Steering shaft bearing 650, 670, 750, (B) 770, 790 Repl. CH14732 |
| SCB-4740 | Steering column bushing 850, 950 Repl. CH11456 (2) |
| SCG-42 | Steering column grommet 650, 750, 850, 950, (5) 1050 Repl. CH13854 |
| SSS-4310 | Steering sector shaft 650, 750 Repl. AM119584 (Old # CH14733) |
| 26x38x7TC | Seal, steering sector shaft 650, 670, 750, 770 Repl. CH14736 |
| SCB-1511 | Lower housing 650, 750 Repl. CH14730 (8) |
| SC-1515 | Strg box side cover 650, 750 Repl. CH14735 (10) |
| SBS-4080 | Seal, steering housing 850 (-16000 sn), (5) 950 (-20000 sn) Repl. CH10813 |



JB-1500 Fitting, Power steering banjo bolt 1050 Repl. CH16844 (1)

PG-3414 Copper packing for JB-1500 Repl. CH11548 (2)



DC-4730 Dust cover, ball joint, common to most models
Repl. CH11448

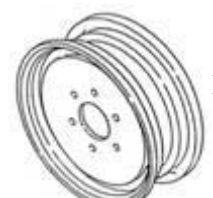
TR-1812 Tie rod end LH thread for right side 655, 670, 755, (B)
770, 850, 855, 955 Repl. AM878082

TR-1813 Tie rod end RH thread for left side 655, 670, 755, (A)
770, 850, 855, 955 Repl. AM878081

TR-4150 Tie rod end (long) 650, 750 Repl. AM875955 (C)

TR-8290 Tie rod end (short) 650, 750 Repl. AM878080 (A)
(Old # CH14551 & AM875953)

FRONT WHEELS



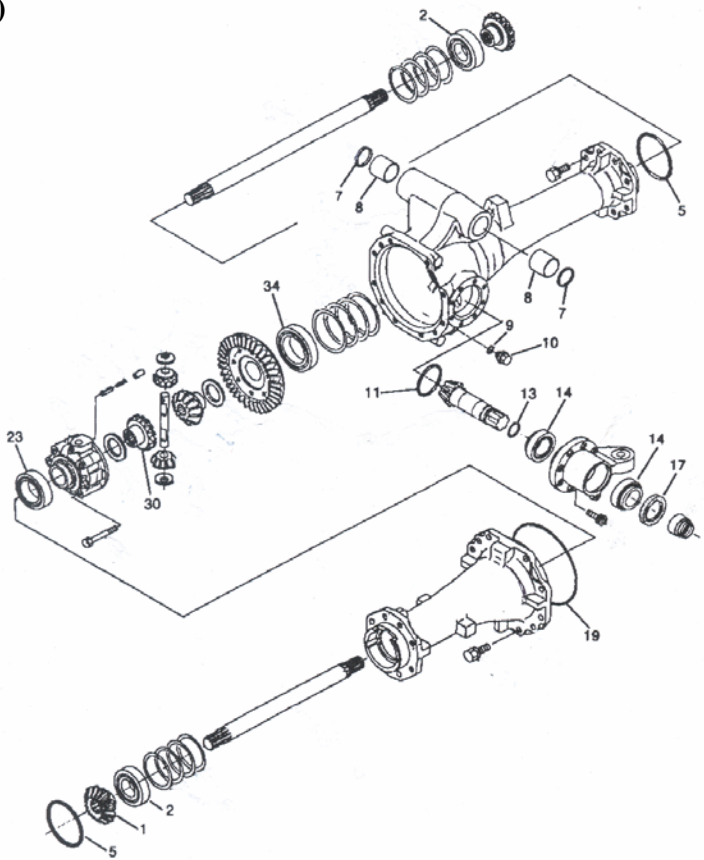
- FW-4100** Rim, 3 x 12 front (4 bolt) 650 Repl. CH14565
- FW-4145** Rim, 4 x 16 front (6 bolt) 950, 970, 1050,
1070 Repl. CH11166
- FW-4279** Rim, 5 x 16 (6 bolt) 870, 970 Repl. AM877153
950, 1050 Repl. CH13187
- FW-4362** Rim, 5 x 14 (6 bolt) 750 Repl. CH14724
- FW-8351** Rim, 5 x 14 front (6 bolt) 850 w/**4wd** Repl. CH19748

FRONT AXLE PARTS Two wheel drive models

| | |
|-------------------|--|
| FH-4151 | Hub 650 Repl. CH14554 |
| APB-4145 | Bushing, spindle 1250 Repl. CH11134; 1450, 1650 Repl. CH13298 (6) |
| SB-4464 | Bushing, spindle 670, 750, 770, 850, 870, 950, 970, (6) 1050, 1070 Repl. CH13301 |
| SB-4440 | Bushing, pivot pin 650, 670, 770, 790, 3005 Repl. CH14531 (9) |
| APB-4145 | Bushing, pivot pin 850, 870, 950, 970, 990, (9) 1050 Repl. CH13928 (old # M805921) |
| 51105 | Bearing, spindle 650 Repl. CH14542 (11) |
| 51106 | Bearing, spindle 670, 750, 770, 850, 870, 950, 970, (11) 1050, 1070 Repl. CH11827 |
| 35x48x10TC | Seal, spindle 650 Repl. CH14541 (12) |
| 38x52x9TC | Seal, spindle 670, 770, 850, 870, 950, 970, 1050, (12) 1070 Repl CH11143 |
| 35x52x11TC | Seal hub 650 Repl. CH14557 (15) |
| AS-4314 | Seal, hub 670, 770, 790 Repl. M802819 (15) |
| 40x62x19TC | Seal, hub 750, 850, 870, 950, 970, 990, 1050, 1070 (15) Repl. CH10879 |
| 30206 | Bearing, outer , front hub, 2 wheel drive 1250, (19) 1450, 1650 Repl. CH17189 |
| 30208 | Bearing, inner , front hub, 2 wheel drive 1250, (16) 1450, 1650, Repl. CH17194 |
| 6206-2RS | Brg. inner , front hub, manual strg. 670, 770 Repl. CH14487 (16) |
| 6205-2RS | Bearing, outer , front hub, manual steering (19) 670, 770, 790 Rep. CH11550 |
| 32007 | Brg., inner , front hub 750, 850, 870, 950, 970, 1050, 1070 Repl. CH11146 (16) |
| 30205 | Brg. outer , front hub 750, 850, 870, 950, 970, 1050, 1070 Repl. CH11145 (19) |
| 6205-2RS | Bearing, inner , front hub 650 Repl. CH11550 (16) |
| 6204-2RS | Bearing, outer , front hub 650 Repl. CH13508 (19) |
| HC-4151 | Cap, hub 650 Repl. CH14555 (24) |
| HC-4145 | Cap, hub 750, 870, 970, 1070 Repl. CH11162 (24) |

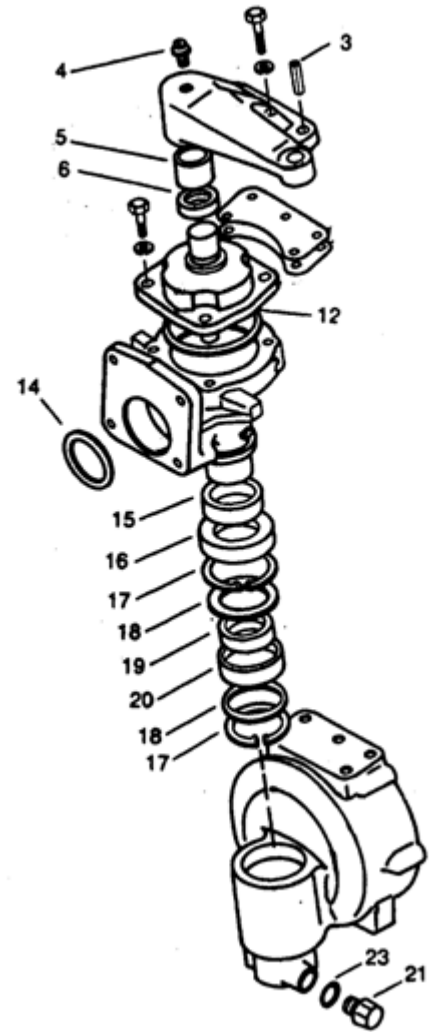
FRONT AXLE PARTS w/mechanical front wheel drive (MFWD)

| | |
|------------------|---|
| SG-1352 | Gear 750 850, 870 Repl. CH14625 (3) |
| 6304-2RS | Bearing, ball 650 Repl. CH13511 (2) |
| 6207-2RS | Bearing, ball 750 Repl. JD9344 (2) Old # CH14627 |
| 6208-2RS | Bearing, ball 870, 970, 990, 1070 (2) Repl. CH15042 |
| OR-1000 | Oring packing 870, 970, 990, 1070 (5) Repl. CH16109 |
| 35x41x5VB | Seal 870, 970, 990, 1070 (7) Repl. CH16106 |
| 30x42x7TC | Seal 750 Repl. CH14638 (7) |
| APB-4191 | Bushing 650 Repl. CH13075 (8) |
| OR-160 | Oring packing 870, 970, 990, 1070 (9) Repl. CH10570 |
| DP-110 | Radiator Drain Plug 650,750 Repl. CH15532 |
| DP-114 | Drain plug 870, 970, 990, 1070 (10) Repl. CH11414 |
| OR-70 | Oring packing 870, 970, 990, 1070 (11) Repl. CH14671 |
| 32007 | Bearing, tapered roller 870, 970, 990, 1070 (14) Repl. CH11146 |
| 45x62x9TC | Seal 870, 970, 990, 1070 Repl. CH13163 (17) |
| SC-1317 | Collar, front pinion seal 950, 1050 (18) Repl. CH13151 |
| 6009-2RS | Bearing, ball 750 Repl. CH14581 (23) |
| PG-4190 | Gear 750 Repl. CH14598 (30) |
| 6012-2RS | Bearing, ball 870, 970, 990, 1070 (34) Repl. CH13507 |



FRONT AXLE PARTS
w/mechanical front wheel drive (MFWD)

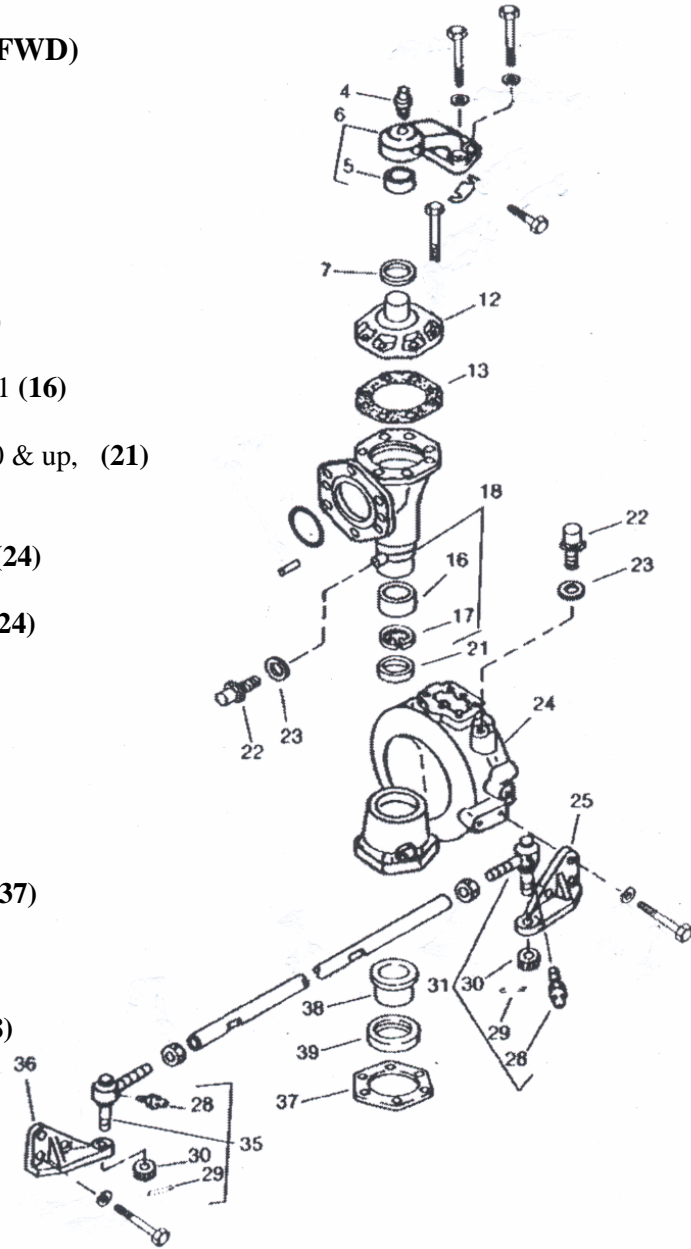
| | |
|---------------------|---|
| RP-820 | Roll pin 650 Repl. CH14656 (3) |
| GF-10 | Grease fitting 650 Repl. CH11574 (4) |
| SB-4321 | Bushing 650 Repl. CH13147 (5) |
| 35x41x5VB | Seal 650 Repl. CH16106 (6) |
| 30x47x8TC | Seal 655, 670, 755, 770, 790, (6) 855, 955 Repl. M800448 |
| OR-750 | O-ring 650 sn 015680 & up (12) Repl. CH11572 |
| OR-500 | O-ring 650 Repl. CH11436 (14) |
| AC-1364 | Seal collar 650 Repl. CH14654 (15) |
| AS-4306 | Seal collar 655, 670, 755, 770, 790, (15) 855, 955 Repl. M800447 |
| 44x57x11.5TC | Seal 650, 655, 670, 755, 756, 770 (16) 855, 856, 955 Repl. CH14642 |
| DP-114 | Drain plug 650 Repl. CH11414 (21) |
| OR-160 | O-ring 650 Repl. CH10570 (23) |



FRONT AXLE PARTS

w/mechanical front wheel drive (MFWD)

- SB-4321** Bushing 950, 1050 Repl. CH13147 (5)
- 35x41x5VB** Seal 950, 1050 Repl. CH16106 (7)
- CG-4321** Gasket 950, 1050 Repl. CH13167 (13)
- SR-450** Snap ring 950, 1050 Repl. CH13496 (17)
- NB-3110** Needle bearing 950, 1050 Repl. CH13171 (16)
- AS-4465** Seal, front knuckle lower 950 SN 016620 & up, (21)
1050 before SN 011000 Repl. CH17593
- FGC-4274** Housing, LH 950, 1050 Repl. CH19231 (24)
- FGC-4321** Housing, RH 950, 1050 Repl. CH19232 (24)
- TRB-1221** Steering arm bracket, RH 950, 1050 (25)
Repl. CH13149
- TRB-1211** Steering arm bracket, LH 950, 1050 (36)
Repl. CH13148
- GHC-4321** Lower cover 950, 1050 Repl. CH13169 (37)
- CG-1376** Gasket for GHC-4321 Repl. CH13170
- AC-4274** Seal collar 950, 1050 Repl. CH19160 (38)
- 64x80x13TC** Seal 950, 1050 Repl. CH19161 (39)
- AS-4465** Seal 950 sn -020000 Repl. CH17593 (39)
(Old #'s CH13175 & CH13176)

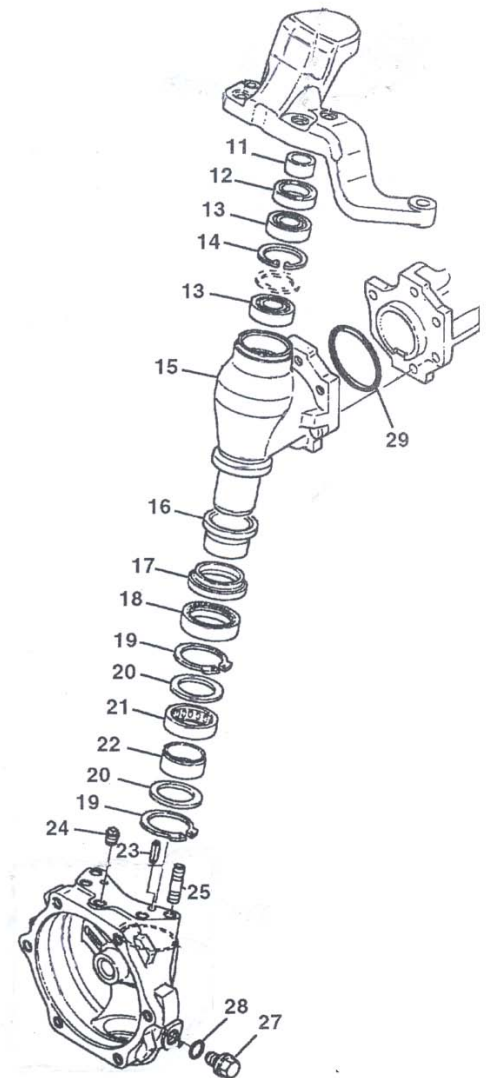


FRONT AXLE PARTS

w/mechanical front wheel drive (MFWD)

- OR-450** Oring packing 950, 1050 Repl. CH13520 (2)
- SC-4491** Seal collar 950, 1050 Repl. M802467 (old # CH13183) (3)
- SAH-4321** Housing, stub axle bearing 950, 1050 Repl. CH13177 (4)
- 65x88x5TC** Seal, dust cover 950, 1050 Repl. CH13179 (5)
- 65x88x12TC** Seal 950, 1050 Repl. CH13178 (6)
- 6211-2RS** Bearing 950, 1050 Repl. CH11552 (7)
- OR-2000** Oring 950, 1050 Repl. CH13524 (8)
- FDG-4321** Gear 950, 1050 Repl. CH13925 (9)
- NJ-306E** Bearing 950, 1050 Repl. JD9513 (10)

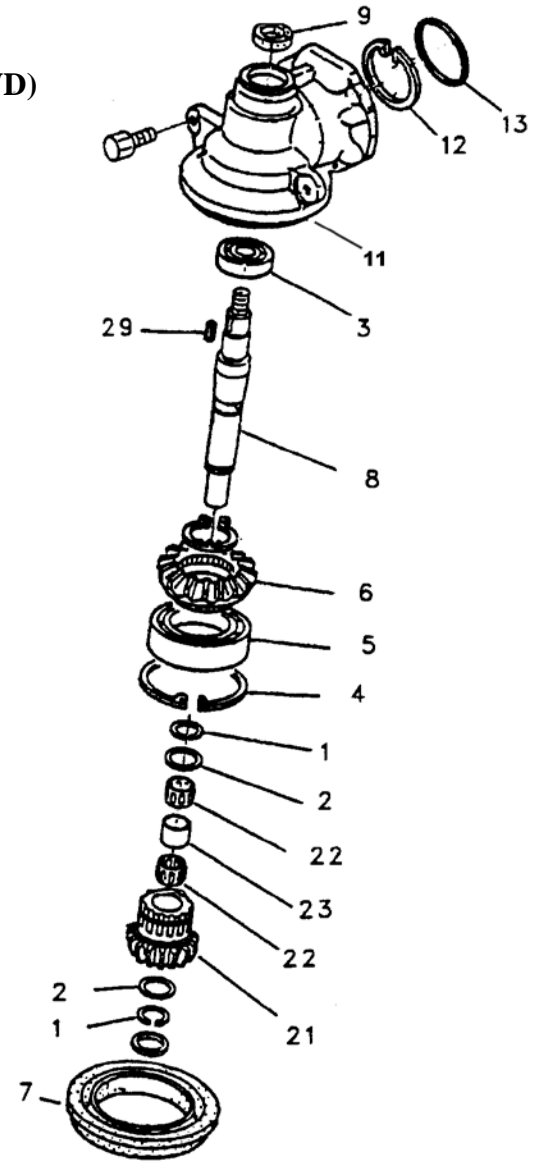
- SS-6190** Seal collar 655, 670, 750, 755, 756, 770, 790, (11)
855, 856, 955 Repl. CH14967
- 30x47x8TC** Seal 655, 670, 755, 756, 770, 790, 855, (12)
856, 955 Repl. M800448
- 6204-2RS** Bearing 655, 670, 755, 756, 770, 855, 856, (13)
955 Repl. M800451
- AS-4306** Seal sleeve 655, 670, 755, 756, 770, 790, 855, (16)
856, 955 Repl. M800447
- AS-1363** Collar, seal 655, 670, 755, 756, 770, 790, 855 (17)
856, 955 Repl. M800446
- 44x57x11.5TC** Seal 650, 655, 670, 755, 756, 770, 790, 855 (18)
856, 955 Repl. CH14642
- OR-600** O'ring, hsg to knuckle 655, 670, 755, 756, 770, (29)
855, 856, 955 Repl. CH11571



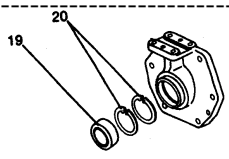
FRONT AXLE PARTS

w/mechanical front wheel drive (MFWD)

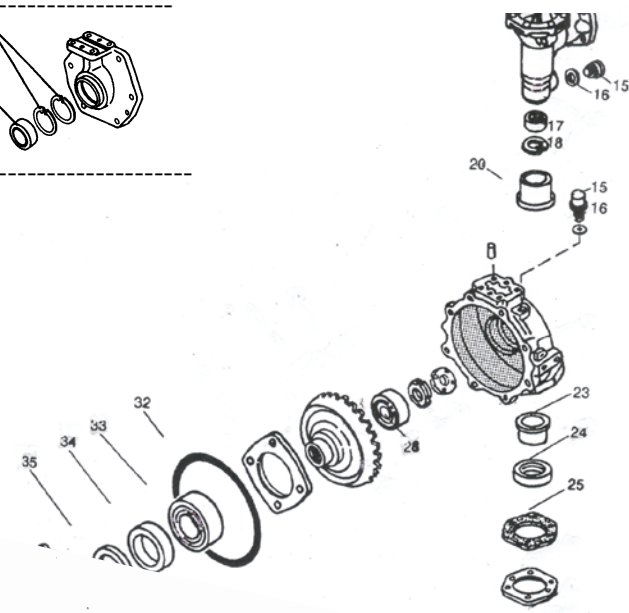
- SR-28** Snap ring 750, 850, 870 Repl. CH14681 (1)
- SW-4311** Washer 750, 850, 870 Repl. CH14680 (2)
- 6205-2RS** Bearing 750, 850, 870 Repl. CH11550 (3)
- SR-100** Snap ring 750, 850, 870 Repl. CH14670 (4)
- 6013-2RS** Bearing 750, 850, 870 Repl. CH14687 (5)
- SG-1394** Gear (upper) 750, 850, 870 CH14683 (6)
- 115x145x13.5TCS** Seal 750, 850, 870 Repl. CH14662 (7)
- SA-1385** Shaft 750, 850, 870 Repl. CH14677 (8)
- 25x40x7TC** Seal, top 750, 850, 870 Repl. CH14659 (9)
- SH-1371** Housing, front axle top (L or R) 750, 850, (11)
870 Repl. CH14658
- SR-720** Snap ring 850, 870 Repl. CH14669 (12)
- OR-70** O-ring 750, 850, 870 Repl. CH14671 (13)
- SG-4311** Gear (lower) 750, 850, 870 Repl. CH14684 (21)
- NB-4311** Needle bearing 750, 850, 870 Repl. CH14678 (22)
- SB-4311** Bushing 750, 850, 870 Repl. CH14679 (23)



-
- 50x68x12.5** Seal 750, 850 Repl. CH14665 (19)
 - SR-680** Snap ring 750, 850 Repl. CH14668 (20)



-
- NB-3110** Needle bearing 950, 1050 Repl. CH13171 (17)
 - AS-4279** Seal sleeve 950, 1050 Repl. CH20145 (20)
 - 64x80x13TC** Seal 950, 1050 Repl. CH19161 (24)
 - NJ-306E** Bearing 950, 1050 Repl. JD9513 (28)
 - 6211-2RS** Bearing 950, 1050 Repl. CH11552 (33)
 - 65x88x12TC** Seal 950, 1050 Repl. CH13178 (34)
 - 65x88x5TC** Seal 950, 1050 Repl. CH13179 (35)



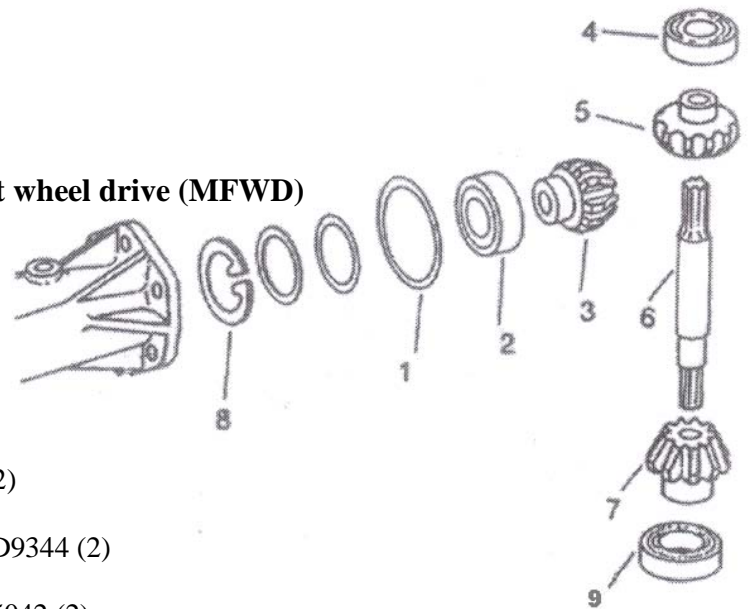
FRONT AXLE PARTS

w/mechanical front wheel drive (MFWD)

| | |
|-------------------|--|
| LN-35 | Lock nut 750, 850 Repl. CH13515 (1) |
| LW-4311 | Lock washer 750, 850 Repl. CH14698 (2) |
| SG-4122 | Gear, stub axle 750, 850, 870 Repl. M804970 (3) |
| 6211-2RS | Bearing 750, 850, 870, 950, 1050 Repl. CH11552 (4) |
| SR-242 | Snap ring 750, 850, 870 Repl. CH13490 (5) |
| SC-4161 | Collar 750, 850 Repl. CH14699 (7) |
| SR-680 | Snap ring 750, 850 Repl. CH14668 (8) |
| 6008-2RS | Bearing 750, 850 Repl. CH14592 (9) |
| 6210-2RS | Bearing 870 Repl. CH11551 (9) |
| AS-4328 | Seal 870 Repl. M804187 (10) |
| 50x68x12.5 | Seal 750, 850 Repl. CH14665 (10) |
| SC-4311 | Collar, seal 750, 850 Repl. CH14700 (11) |
| OR-400 | O-ring 750, 850 Repl. CH14701 (12) |
| OR-500 | O-ring 870 Repl. CH11436 (12) |
| M14x25 | Bolt, lug 750, 850 Repl. 19M7646 (15) |

FRONT AXLE PARTS

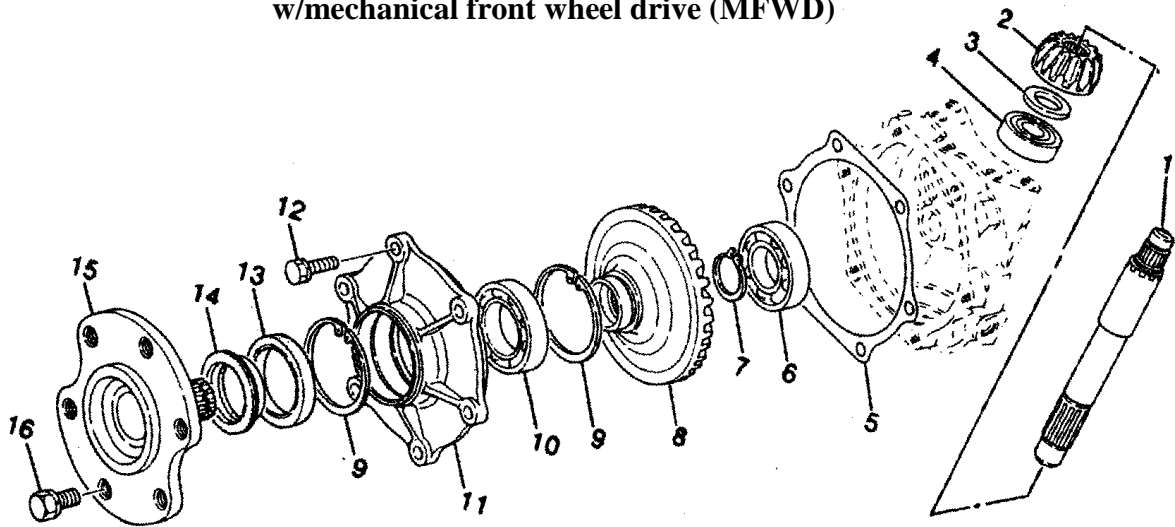
w/mechanical front wheel drive (MFWD)



| | |
|-----------------|--|
| 6304-2RS | Bearing 650 Repl. CH13511 (2) |
| 6207-2RS | Bearing 750, 850, 870 Repl. JD9344 (2) |
| 6208-2RS | Bearing 970, 1070 Repl. CH15042 (2) |
| 6209-2RS | Bearing 950, 1050 Repl. JD7692 (old # CH13509) (2) |
| 6210-2RS | Bearing 1250, 1450, 1650 Repl. CH11551 (2) |
| SG-1352 | Gear 750 850, 870 Repl. CH14625 (3) |
| SG-3110 | Gear 950, 1050 Repl. CH18039 (3) |
| 6206-2RS | Bearing 650 Repl. CH14676 (4) |
| 6209-2RS | Bearing 950, 1050 Repl. CH13512 (4) |
| 6211-2RS | Bearing 1250, 1450, 1650 Repl. CH17453 (4) |
| SA-4321 | Spindle shaft 950, 1050 Repl. CH13871 (6) For 950/ 1050 must use SG-4321, 6306-2RS and SR-34 |
| SA-950 | Spindle shaft (original style) 950, 1050 Repl. AM876190 (6) |
| SG-1389 | Gear, lower spindle 950, 1050 Repl. CH13172 (7) |
| SR-850 | Snap ring 950, 1050 Repl. CH13495 (8) |
| 6308-2RS | Bearing 1250, 1450, 1650 Repl. CH16417 (9) |
| 6209-2RS | Bearing 950, 1050 Repl. JD7692 (old # CH13509) (9) |
| SA-950 | Vertical Spindle 950, 1050 Repl. AM876190 (8) |

FRONT AXLE PARTS

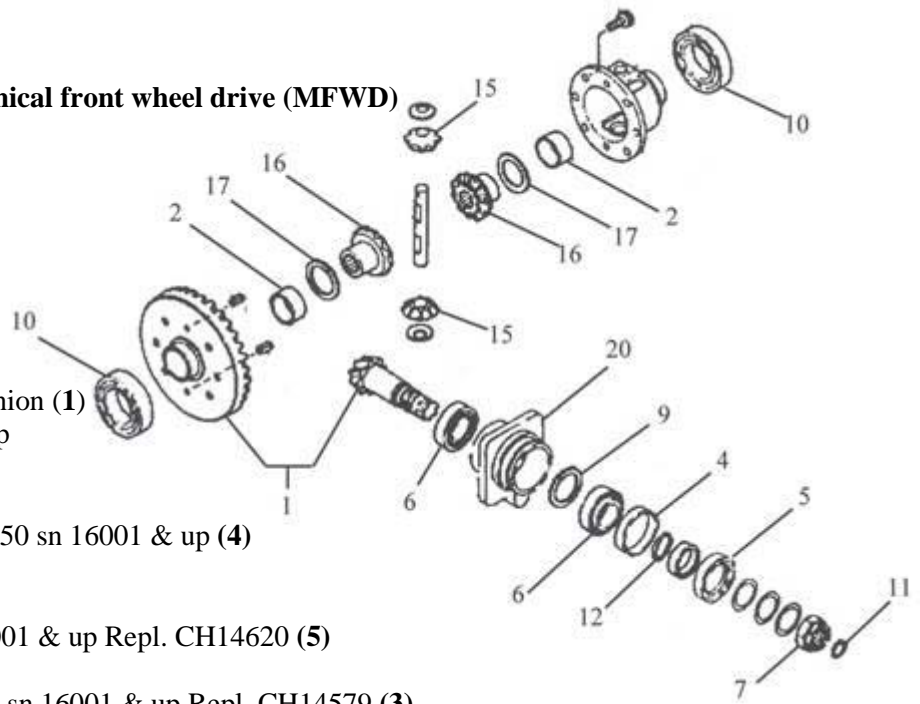
w/mechanical front wheel drive (MFWD)



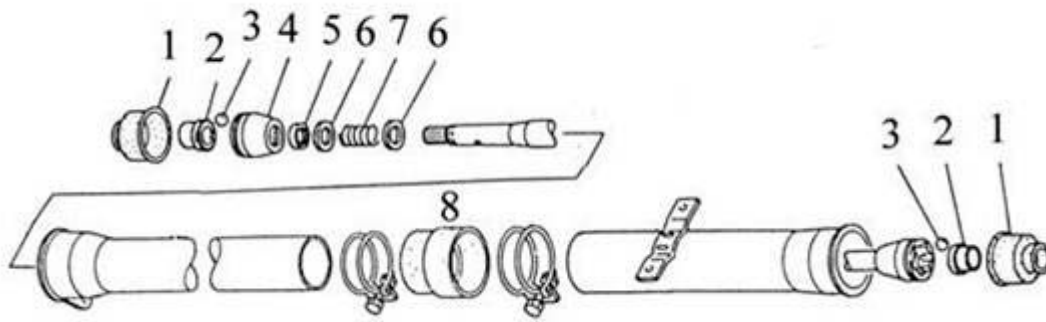
- 6304-2RS** Bearing 655, 670, 755, 756, 770, 855, 856 Repl. CH13511 (4)
- 6207-2RS** Bearing 655, 670, 755, 756, 770, 855, 856 Repl. JD9344 (old # CH14627) (6)
- SR-34** Snap ring 655, 670, 755, 756, 770, 855, 856 Repl. CH13489 (7)
- 6009-2RS** Bearing 655, 670, 755, 756, 770, 855, 856 Repl. CH14581 (10)
- 6211-2RS** Bearing 870 Repl. CH11552 (10)
- 6210-2RS** Bearing 870 Repl. CH11551
- AS-4447** Seal 655, 670, 755, 756, 770, 855, 856 Repl. CH14691 (13)
- AS-4328** Seal 870 Repl. M804187 (13)
- AC-4447** Collar, seal 655, 670, 755, 756, 770, 855, 856 Repl. CH14692 (14)

FRONT AXLE PARTS

w/mechanical front wheel drive (MFWD)



- RGP-4311** Front ring gear & pinion (1)
750, 850 sn 16001 up
Repl. CH14575
- SC-3662** Collar, spacer 750, 850 sn 16001 & up (4)
Repl. CH14619
- 40x55x8TC** Seal 750, 850 sn 16001 & up Repl. CH14620 (5)
- SC-4191** Collar, seal 750, 850 sn 16001 & up Repl. CH14579 (3)
- SC-1317** Collar, seal 950, 1050 Repl. CH13151 (3)
- 30x52x8TC** Seal 650 Repl. CH14633 (5)
- 45x62x9TC** Seal 950, 970, 990, 1050, 1070 Repl. CH13163 (5)
- 32006** Bearing 750, 850 Repl. CH14577 (6)
- 32007** Bearing 950, 970, 990, 1050, 1070 Repl. CH11146 (6)
- 6009-2RS** Bearing 750, 850 Repl. CH14581 (10)
- 6012-2RS** Bearing 950, 1050 Repl. CH13507 (10)
- PG-4740** Spider gear 750, 850 sn 16001 & up, 870 Repl. CH14595 (15)
- PG-4190** Spider gear 750, 850 sn 16001 & up, 870 Repl. CH14598 (16)
- PH-4311** Pinion housing 750, 850 sn 16001 & up Repl. CH14618 (20)



CB-4191 Boot (rubber) 750 Repl. M801916 (old # CH14617) (1)

DS-4191 Sleeve 750 Repl. CH14612 (2)

SB-4190 Ball 750 Repl. R26552 (old # CH10566) (3)

DC-4191 Coupling 750, 850 sn 16001 & up Repl. CH14613 (4)

SS-4191 Splined shaft seal 750, 850 SN 16001 - Repl. CH14614 (5)

DW-4191 Washer 750 Repl. CH14615 (6)

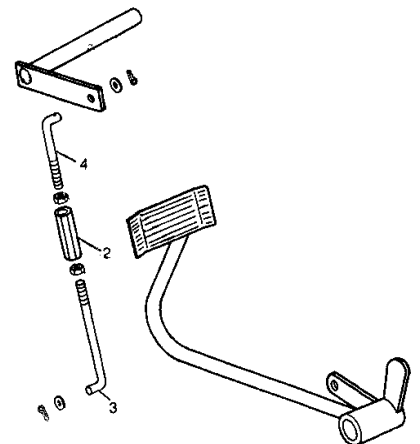
DS-4311 Spring 750 Repl. CH14616 (7)

DROP BOX PARTS

| | |
|-------------------|---|
| 30x52x8TC | Seal, drop box 750, 850 Repl. CH14633 (1) |
| 35x55x11TC | Seal, drop box 950, 1050 Repl. CH13066 (1) |
| 42x60x9TC | Seal, drop box 1250, 1450, 1650 Repl. CH10921 (1) |
| SS-6190 | Sleeve or spacer 750, 850 Repl. CH14967 (2) |
| SS-4274 | Sleeve or spacer 950, 1050 Repl. CH13105 (2) |
| SC-4130 | Sleeve or spacer 1250, 1450, 1650 Repl. CH10959 (2) |
| 6304-2RS | Bearing 850, 950, 1050 Repl. CH13511 (3) |
| 6005-2RS | Bearing 650 Repl. CH14828 (4) |
| 6205-2RS | Bearing 750, 850, 950, 1050 Repl. CH11550 (4) |
| 6306-2RS | Bearing 1250, 1450, 1650 Repl. CH15035 (4) |
| SR-550 | Snap ring 950, 1050 Repl. CH13494 (5) |
| OR-210 | O-ring 750 Repl. CH14583 (6) |
| SR-29 | Snap ring 750, 950, 1050 Repl. CH13488 (7) |
| 6005-2RS | Bearing 750 Repl. CH14828 (9) |
| 6006-2RS | Bearing 950, 1050 Repl. CH13505 (9) |
| 6205-2RS | Bearing 850 Repl. CH11550 (9) |
| 6207-2RS | Bearing 1250, 1450, 1650 Repl. CH14627 (9) |

Clutch & Linkage

| | |
|----------------|--|
| CR-740 | Turnbuckle 650 Repl. CH11452 (2) |
| CR-4197 | Rod, clutch, RH thread 650 Repl. CH14777 (3) |
| CR-4440 | Rod, clutch, LH thread 650 Repl. CH14776 (4) |



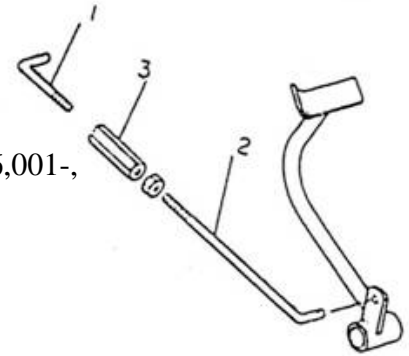
Clutch & Linkage

CR-2246 (1) Clutch rod end – LH thread 750, 850 SN -016,000,
950 SN -020,000 Repl. CH11398

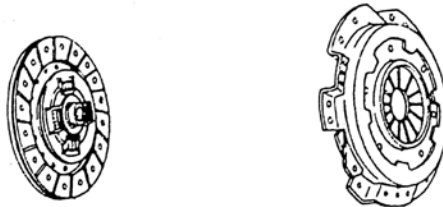
BR-100 (1) Clutch rod end – LH thread (clevis type) 850 SN 016,001-,
950 SN 020,001-, 1050 Repl. CH10989

CR-4420 (2) Clutch rod 750 Repl. CH14779

CR-4145 (2) Clutch rod end – RH thread 850 SN-016,000,
950 SN -020,000 Repl. CH11189



Clutch



CD-4335 PTO disc for models w/dual clutch 850, 870, 950, 970,
990, 1050, 1070, 4005 (9" x 13 spline)
Repl. M804454 (old # CH13090, LVU801087 & M806764)

CD-4115 Clutch disc, 7-7/8" x 7/8 – 20 spline, 650, 750
Repl. LVU801674 (old CH14760 & M805461)

PP-4115 Pressure plate 650, 750 Repl. LVU803018
(Old # CH14762)

TO-4115 Clutch throw-out (release) bearing 650, 670, 750,
770, 790 w/single clutch Repl. CH14769



CD-4276 Clutch disc, 8-1/2" x 1" – 13 spline,
670 & 770 w/ single clutch Repl. M802964
850 & 950 w/ single clutch Repl. CH18375

PP-4276 Pressure plate – 670 & 770 w/ single clutch
Repl. M809105 (old # M802965)

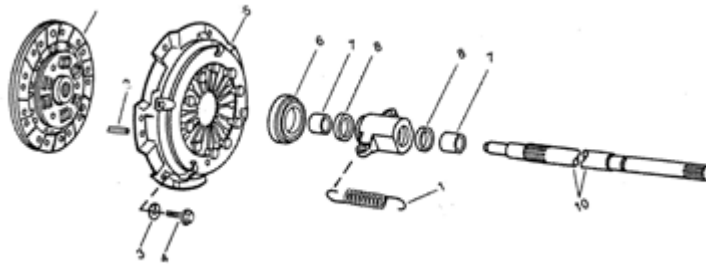
PP-4081 Pressure plate 850 & 950 w/ single clutch
Repl. LVU803007 (old # CH11720)



TO-4276 Clutch throw-out (release) bearing 850 & 950
w/single clutch Repl. CH11464



SB-4065 Shifter boot 650, 750, 850, 950, 1050
Repl. CH10854



RS-4420 Spring, clutch brg return 650, 750 (1)
Repl. CH14770

Shift Lever Guide

SLG-4150 Shift lever guide 750 Repl. CH14911



Transmission Bearing

5306-2RS Bearing, countershaft gear 850, 950 Repl. CH11196

SF-13 Shift fork, 1st & 2nd 850 -007761 SN, (1)
950 -010860 SN Repl. CH10923

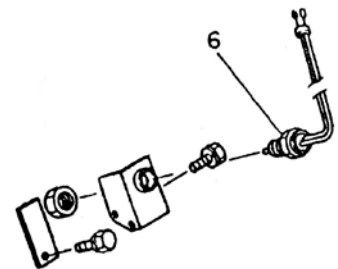
SB-4190 Ball only 850, 950 Repl. R26552 (2)

SR-4145 Shift rail, 1-3 & 2-4 for 850 -016,000 SN, (6)
950 -020,000 SN Repl. CH11206

RP-625 Pin 850, 950 Repl. CH11501 (9)

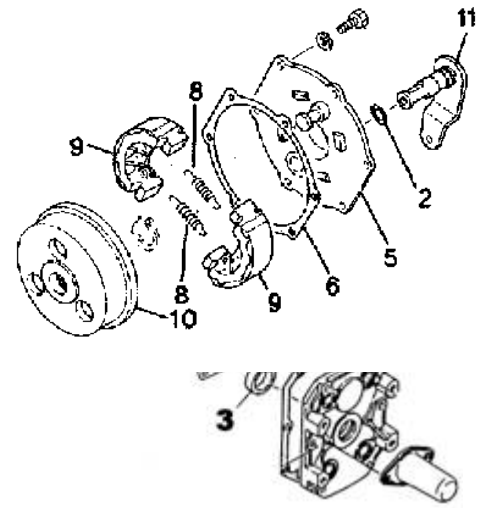
Clutch Safety Switch

SS-4440 Clutch safety switch 650, 750, 850, 950, 1050, (6)
1450, 1650 Repl. CH20208 (old # CH10155)



Transmission and PTO Gaskets

TG-2412 Gasket, transmission 750 Repl. LVU801603 (1)
(Old # CH14798)



THROTTLE PARTS

TRS-3994 Throttle return spring 2000, 2500, 3000
Repl. 193994-10203

BRAKE PARTS

BDC-3630 Brake drum cover 750, 770, 790, 3005 (5)
Repl. CH15070

BCG-4420 Brake cover gasket 750, 770, 790, 3005 (6)
Repl. M803177 (old # CH15071)

BCG-4130 Brake cover gasket 850 Repl. LVU801217 (6)
(old # CH10980)

BCG-4320 Brake cover gasket 950, 1050 Repl. M806836 (6)
(old # CH11252)

BS-4440 Brake shoe 650, 670 Repl. M805305 (old # CH20140) (9)

BRS-4200 Brake **return spring** 650, 670 Repl. CH15066 (8)

BS-4420 Brake shoe 750, 770, 790, 3005 Repl. M805735 (old # CH15072) (9)

BRS-4150 Brake **return spring** 750, 770, 790, 3005 Repl. CH15073 (8)

BS-4130 Brake shoe 850 Repl. M805898 (old # M801894) (9)

BRS-4130 Brake **return spring** 850 Repl. CH10977 (8)

- BS-4145** Brake shoe 950 Repl. M805899 (old # CH11247) **(9)**
- BRS-4145** Brake **return spring** 950, 1050 Repl. CH11248 **(8)**
- BS-4320** Brake shoe 1050 Repl. M805897 (old # CH13123) **(9)**
- BD-3657** Brake drum 750, 770, 790, 3005 Repl. CH15074 **(10)**
- BC-3671** Brake camshaft, **LH** 750 Repl. CH15075 **(11)**
- BC-3672** Brake camshaft, **RH** 750 Repl. CH15078 **(11)**
-
- BPS-4145** Brake pedal return spring 850, 950
Repl. CH11264

Brake parts continued on next page

Brake parts continued

BR-103 (3) Brake turnbuckle 650, 750, 850, 950, 1050
Repl CH11416 (10mm X 90mm OAL)

BR-4145 (4) Brake rod end – RH thread
850, 950 Repl CH11271
(OAL approx. 13”)

BR-102 (4) Brake rod end – RH thread 650
Repl. CH15086; 870, 970, 1070
Repl. CH11061 (OAL 11-1/2”)

BR-4320 (4) Brake rod end – RH thread 1050
Repl. CH13131 (OAL approx. 8”)

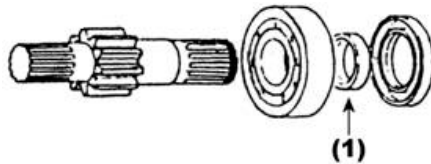
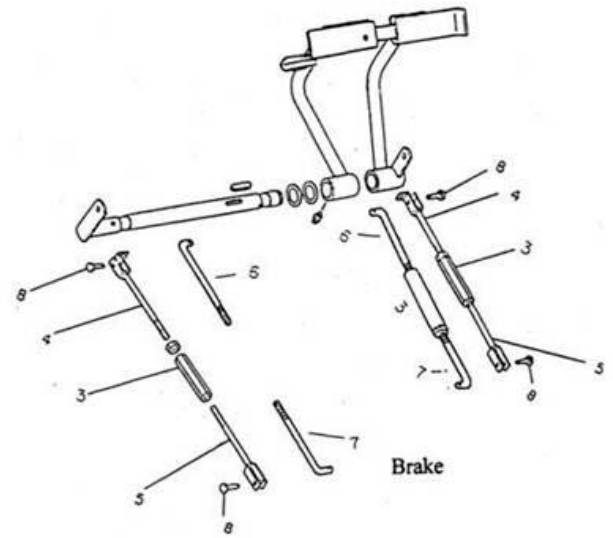
BR-4420 (4) Brake rod end – RH thread 750
Repl. CH15093 (OAL approx. 10”)

BR-3775 (4) Brake rod end – RH thread 670, 770, 790
Repl. M803758 (OAL approx. 4-1/8”)

BR-100 (5) Brake rod end – LH thread – 650, 750, 850, 950, 1050
Repl. CH10989 (OAL approx. 4-3/8”)

BR-101 (5) Brake rod end – LH thread 870, 970, 1070
Repl. M804721 (OAL approx. 8”)

CP-118 (8) Brake rod clevis pin w/hair pin clip 650, 750,
850, 950, 1050 Repl. CH10857



6305-2RS Bearing, brake stub axle 670 Repl. CH11554

6206-2RS Bearing, brake stub axle 770 Repl. CH14887

6307-2RS Bearing, brake stub axle 850 Repl. CH11556

SC-4305 Collar, seal 650, 670, 770 Repl. CH19719 **(1)**

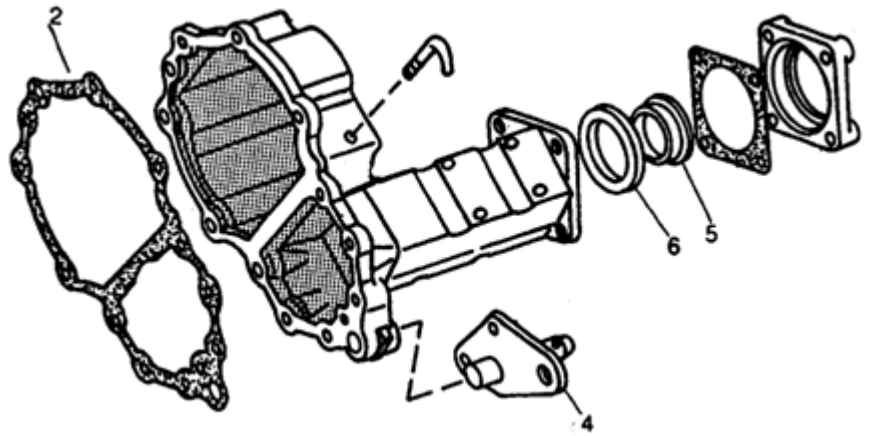
SC-4130 Collar, seal 850 Repl. CH10959 **(1)**

SC-3343 Collar, seal 950 Repl. CH11236 **(1)**

35x52x11TC Seal 650, 670, 770, 790 Repl. CH19718

42x80x9TC Seal 850 Repl. CH10960

REAR AXLE PARTS



RAC-3271 Housing, rear axle seal 850, 950, 1050 Repl. CH11228 (1)

RAHG-4420 Gasket, rear axle housing 750 Repl. CH15015 (2)

AC-4447 Collar, rear axle seal 650, 655, 670, 750, 755, (5)
770, 855 Repl. CH14692

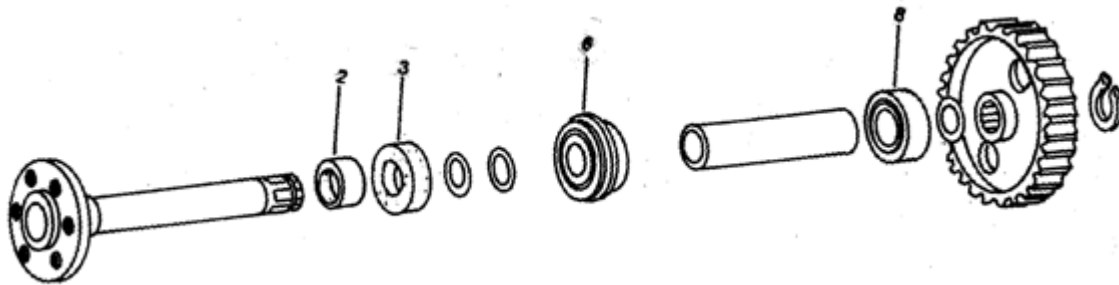
AS-4447 Seal, rear axle 650, 670, 750, 770 Repl. CH14691 (6)
655 -610729 SN, 755 & 855 -827728 SN

SR-40 Snap ring 670, 770 Repl. CH11484 (1)

6208-2RS Bearing, inner axle 650, 670, 770 Repl. CH15042 (7)

6009-2RS Bearing, outer axle 650, 670, 770 Repl. CH14581 (8)

6209-2RS Bearing, inner & outer 750 Repl. JD7692 (7 & 8)
(Old # CH13509)



AC-4130 Collar, seal 850 can Repl. CH12573 when used with (2)
58x80x12TC seal, 990 Repl. CH12573

58x80x12TC Seal used with AC-4130 (3)

60x80x12TC Seal 850, 870, 970, 990 Repl. CH11329 (3)

SC-4145 Collar, seal 950, 1050, 1070, 4500, 4600, 4700 Repl. CH11243 (2)

AS-4327 Seal, axle 1070, 4500, 4600, 4700 Repl. M804655 (3)

75x100x13TC Seal, axle 950, 1050 Repl. CH11230 (3)

75x100x7TC Seal, axle dust 950, 1050 Repl. CH11231 (3a)

6009-2RS Bearing, outer axle 655 -610729 SN, 755 & 855 (6)
-827728 SN Repl. CH14581

6011-2RS Bearing, inner axle 1070 Repl. JD9292 (old # M804641) (8)

6209-2RS Bearing, outer axle 655 SN 610730-, 755 & 855 (6)
SN 827729- Repl. JD7692

6207-2RS Bearing, inner axle 655, 755, 855 Repl. JD9344 (8)

6210-2RS Bearing, inner axle 850 Repl. CH11551 (8)

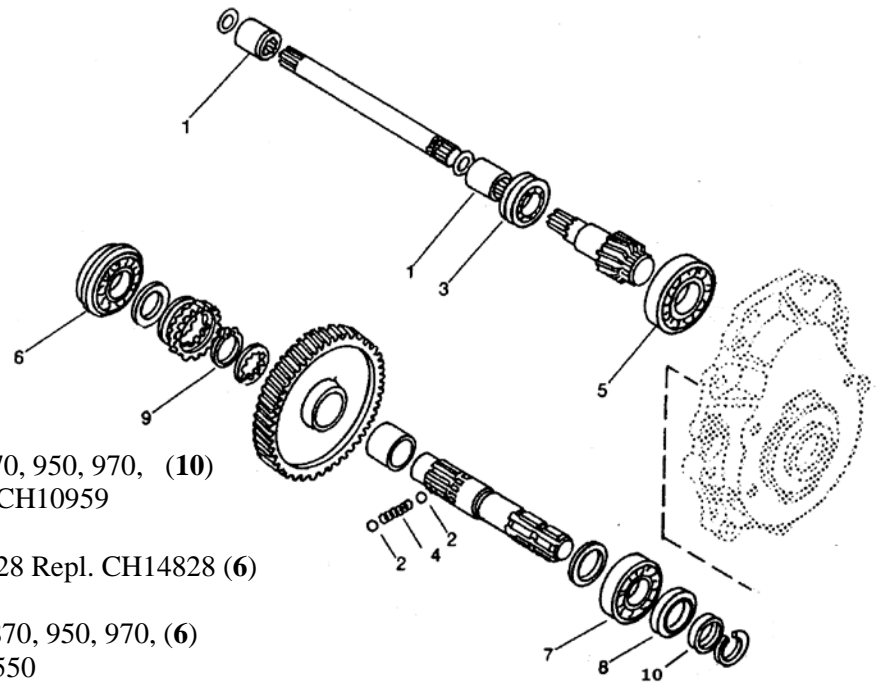
6210-2RSNR Bearing w/snap ring, outer axle 850, (6)
870, 970 Repl. CH10965

6212-2RS Bearing, inner axle 950, 1050 Repl. CH11553 (8)

6312-2RS Bearing, outer axle 950 Repl. CH11555 (6)

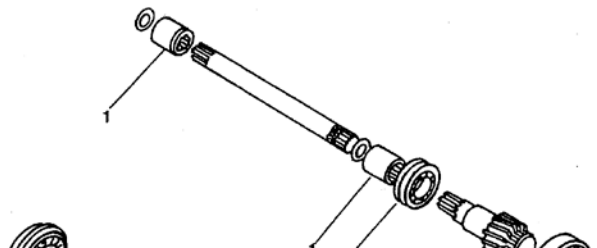
6212-2RS Bearing, outer axle 1050 Repl. CH13386 (6)

PTO Seals, Bearings & Couplers



- SC-4130** Collar, PTO seal 850, 870, 950, 970, (10)
1050, 1070, 1250 Repl. CH10959
- 6005-2RS** PTO bearing 650 -005128 Repl. CH14828 (6)
- 6205-2RS** PTO bearing 750, 850, 870, 950, 970, (6)
1070, 1050 Repl. CH11550
- 6205-2RSNR** PTO bearing w/snap ring 670, 770 Repl. CH14888 (6)
- 6006-2RS** PTO bearing 650 Repl. CH13505 (7)
- 6007-2RS** PTO bearing 670, 770 Repl. CH13506 (7)
- 6206-2RS** PTO bearing 750 Repl. CH14887 (7)
- 6207-2RS** PTO bearing 870, 970, 1070 Repl. JD9344 (7)
- 6307-2RS** PTO bearing 1250 Repl. CH16424 (7)
- 6308-2RS** PTO bearing 1450, 1650 Repl. CH16417 (7)
- 38x50x8TC** PTO seal 650 Repl. CH14788 (8)
- 38x55x8TC** PTO seal 750 Repl. CH14809 (8)
- 38x62x9TC** PTO seal 1450, 1650 Repl. CH18637 (8)
- 40x55x8TC** PTO seal 655, 670, 755, 756, 770, 855, 856 (8)
Repl. CH14620
- AC-4210** Collar, PTO seal 655, 755, 756, 850, 855, 856, 950, 955, 1050 (10)
Repl. CH13092
- 42x60x9TC** PTO seal 850, 870, 950, 970, 1050, 1070, (8)
1250 Repl. CH10921

Continued on next page

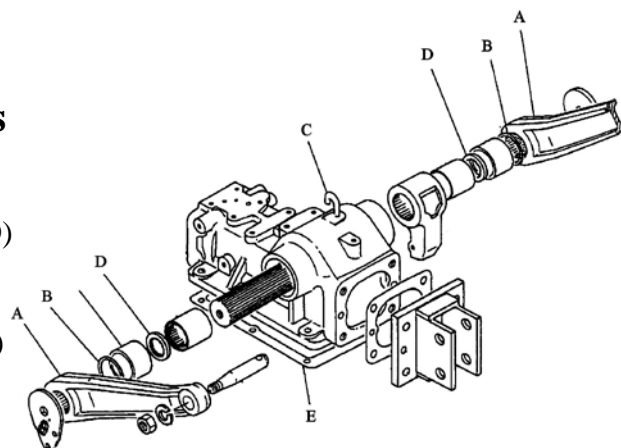


PTO Bearing, Seals and Couplers

| | |
|-----------------|---|
| 5305-2RS | PTO bearing 850 SN -16000, (5) 950 SN -20000 Repl. CH19229 |
| 6204-2RS | PTO bearing 670, 770 Repl. M803810 (5) |
| 6304-2RS | PTO bearing 650 Repl. CH13511; 750 Repl. JD8509 (5) |
| 6308-2RS | PTO bearing 1250, 1450, 1650 Repl. CH16417 (5) |
| 6204-2RS | PTO bearing 750 Repl. CH13508 (3) |
| 6304-2RS | PTO bearing 870, 970, 1070 Repl. CH13511 (3) |
| SR-40 | Snap ring 850, 950, 1050 Repl. CH11484 (9) |
| SC-2522 | Coupler 1250, 1450, 1650 Repl. CH10870 (1) |
| SC-2618 | Coupler 850 SN 16001 & up, 870, 950 SN 20001 & up, (1) 970, 1050, 1070 Repl. CH13718 |
| SC-4300 | Coupler 650, 670, 750, 770, 790 Repl. CH14838 (1) |

Rock Shaft Seals

| | |
|----------------|---|
| SS-4130 | Splined rock shaft seal 850, 950, 1050 (D) Repl. CH10996 |
| OR-600 | Oring 850, 950, 1050 Repl. CH11571 (B) |
| SS-4150 | Splined rock shaft seal 750 (D) Repl. CH15138 |
| OR-500 | Oring 750 Repl. CH11436 (B) |



Hydraulic cover gasket

HCG-4197 Hyd cover gasket 650 Repl. LVU801601 (4)
(Old # CH15106)

HCG-4312 Hyd cover gasket 750 Repl. LVU801609 (4)
(Old # CH15111)

HCG-4145 Hyd cover gasket 850, 950, 1050 (4)
Repl. LVU801617 (old # CH17998)

AB-42280 Breather tube 650, 750 Repl. CH11403 (3)

HH-4150 Hyd hose 650, 750 Repl. CH11407 (11)

HP-7C Hyd pump 650 Repl. CH15095

HP-9C Hyd pump 750 Repl. CH15096

HV-451 Hydraulic valve 650, 750, 850, 950
Repl. LVA801753 (Old # CH16132)

HVG-4151 Gasket for HV-451 valve Repl. CH11428

OR-112 O-ring, hyd. valve base Repl. CH11570

10x20x7TC Seal for hyd. valve Repl. CH11426

JB-1500 Banjo bolt fitting 1250, 1450, 1650 (1)
Repl. CH16844

PG-3414 Copper washer for JB-1500 Repl. CH11548 (2)

OR-200 Oring 1250, 1450, 1650 Repl. CH11562 (5)

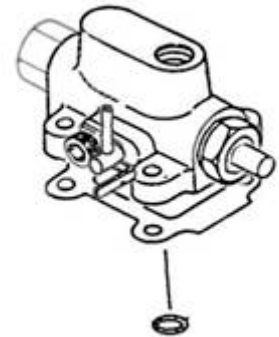
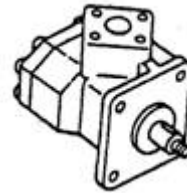
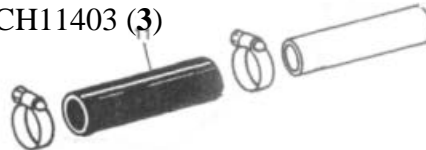
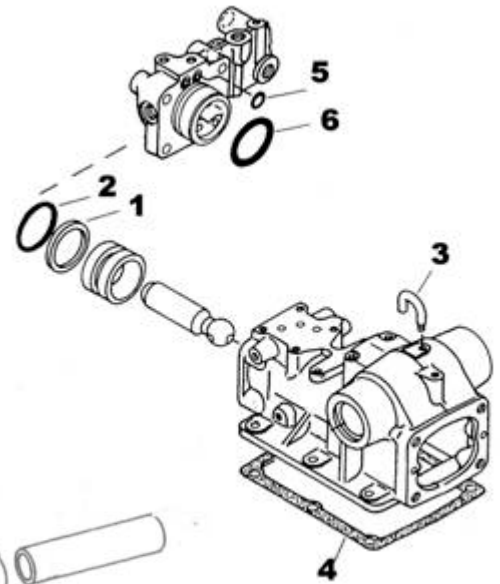
Hydraulic Pumps

HP-7C Hydraulic Pump 650

HP-9C Hydraulic Pump 750

HP-9A Hydraulic Pump 850 / 950

HP-3000 Hydraulic Pump 1050 (JD Part – New part available soon.)



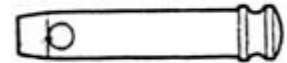
Pins, Chains, and Side Links



P-3916 Upper arm pin Pin dia. $\frac{3}{4}$ ", 12mm thread, 3-9/16" OAL
Can replace CH10998

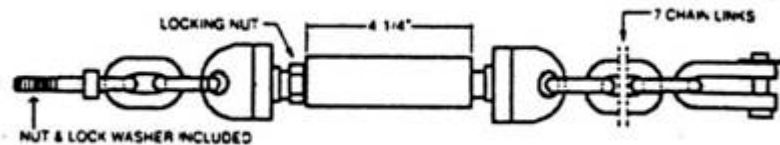
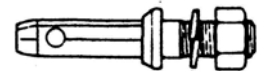
P-4516 Upper arm pin w/ shoulder, $\frac{3}{4}$ " pin dia., 16mm thread, 4-5/16" OAL

P-771 Top link pin Cat. 1 $\frac{3}{4}$ " dia. X 2-3/4" usable length.



P-772 Top link pin Cat. 1 $\frac{3}{4}$ " dia. X 3-7/8" usable length.

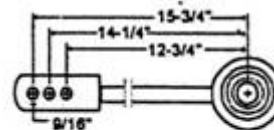
P-728 Lift arm pin Cat. 1 $\frac{7}{8}$ " X $\frac{7}{8}$ " X 5-1/2" OA length.



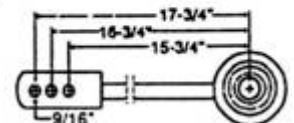
SC-350 Stabilizer chain 3-1/2" long rd. sq ctr.. tube w/lock nut.

SC-425 Stabilizer chain 4-1/4" long sq. ctr. tube w/lock nut
950, 1050

SL-975 Side link, non adjustable w/clevis pin



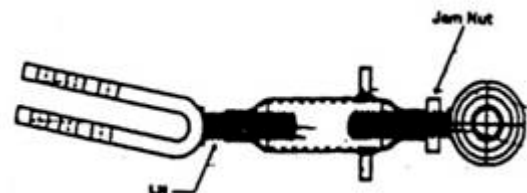
SL-1150 Side link, non adjustable w/clevis pin



SL-155 Side link, non adjustable w/clevis pin 950, 1050
Repl. CH19069

ASL-750 Adj. Side link – 7-1/2" center tube
w/clevis pin

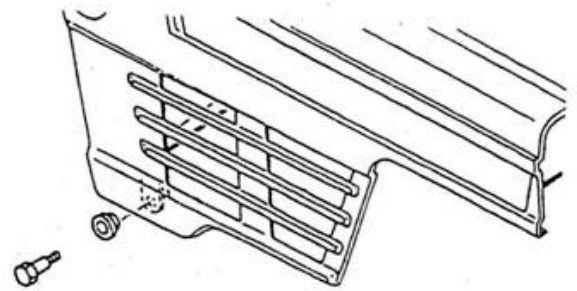
ASL-950 Adj. Side link – 9-1/2" center tube
w/clevis pin



P-159 Clevis pin w/hair pin clip for ASL-750, ASL-950,
SL-155, SL-975, SL-1150 side links

HB-4155 Hood hinge bolt bushing – rubber 650, 750, 850, 950, 1050, 1250, 1450, 1650 Repl. CH15723

HB-100 Hood hinge bolt 650, 750, 850, 950, 1050, 1250 Repl. CH14152



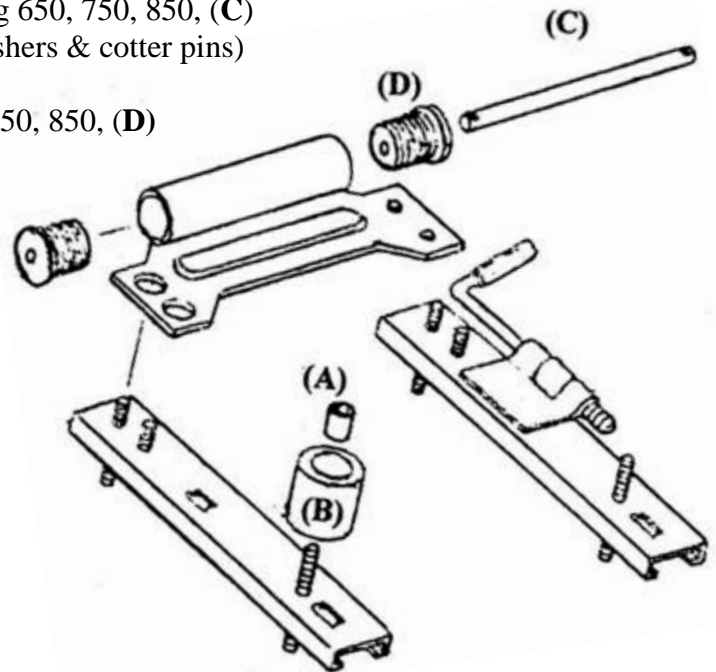
Seat Mounting Hardware

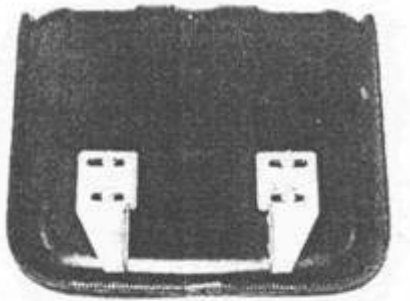
SB-100 Seat bushing 3/8" ID x 5/8" long 650, 750 (A) Repl. CH11437

RC-151 Rubber cushion, seat – approx. 1-1/2" tall (B) 650, 750 Repl. CH15277

SR-205 Seat rod (hinge pin) – 205mm long 650, 750, 850, (C) 950, 1050 Repl. CH11075 (w/ washers & cotter pins)

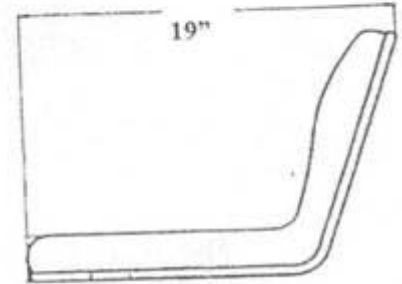
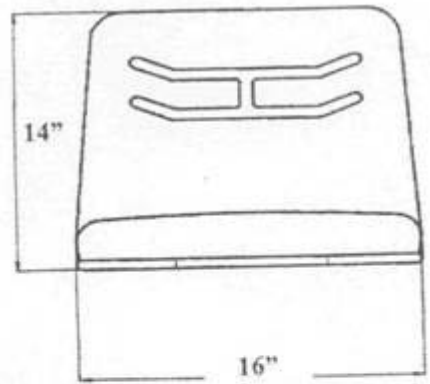
RD-6327 Rubber damper for seat rod 650, 750, 850, (D) 950, 1050 Repl. CH18084





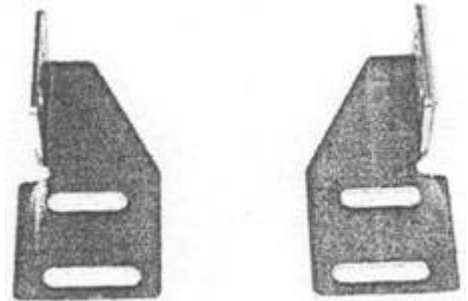
SA-1654B

This universal seat comes with an adjustable bracket set that allows the unit to fit most any tractor with a flip type seat



SB-054

Adjustable mounting bracket set for most flip type seats

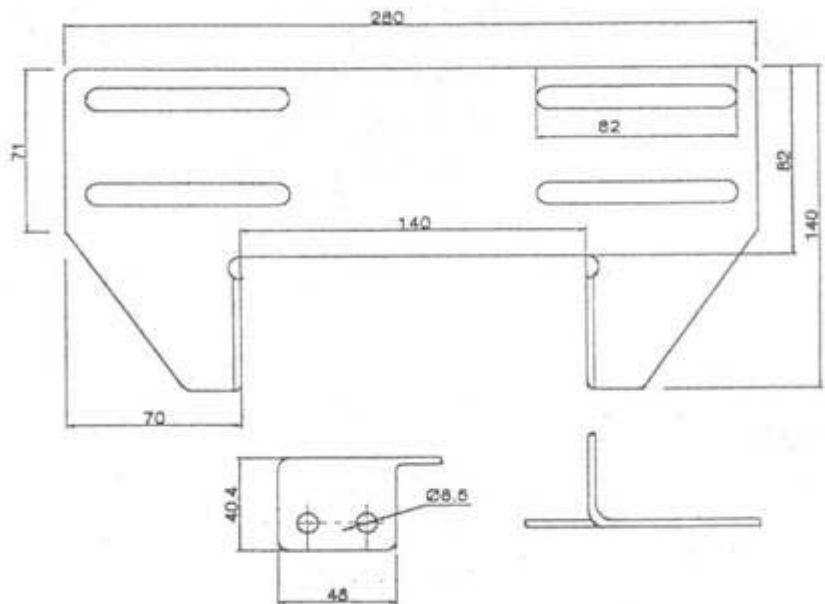


SB-2000

Seat bracket only (one piece)

SA-1654C

High back universal seat with one piece bracket



SEALS

17x30x7TC

M805569

Seal 4100, 4110, 4115 Compact Utility Tractors

| Size | Repl. JD # | Application | |
|----------------|------------|--|---------------|
| 10x20x7TC | CH11426 | 3pt. Valve seal 650, 750, 850, 950 | |
| 115x145x13.5TC | CH14662 | Seal, front knuckle 750, 850 | |
| 14x25x7TC | CH15098 | Hyd. pump shaft seal 650, 670, 750 | |
| 20x32x7TC | CH19260 | Seal, PS top 1050, 1250, 1450, 1650 | Old # CH17860 |
| 20x35x7TC | CH14814 | Seal, front transmission plate 750 | |
| 20x35x7TC | M806768 | Seal, frt drive shaft 655, 755, 855 | |
| 22x35x8TC | CH13097 | Seal, dual clutch main drive shaft 850, 950, 1050 | |
| 25x40x7TC | CH14659 | Seal, top cap 850 w/MFWD | |
| 25x42x8TC | R91130 | Seal, frt axle diff 670 770 | Old # MT1160 |
| 26x38x7TC | CH14736 | Steering column bearing seal 650, 750 | |
| 30x42x7TC | CH14638 | Seal, MFWD pivot 850 | |
| 30x45x8TC | CH11465 | | |
| 30x47x8TC | M800448 | Seal, front axle 670 770 | |
| 30x52x8TC | CH14633 | Seal, drop box 750, 850 | |
| 35x41x5VB | CH16106 | Seal, top cap 950 & 1050 w/MFWD | |
| 35x48x10TC | CH14541 | Seal, spindle 650 | |
| 35x52x11TC | CH14557 | Seal, front wheel hub 650 | |
| 35x55x11TC | CH13066 | Seal, drop box 950, 1050 | |
| 35x55x8TC | CH14996 | Brake shaft seal 750 | |
| 38x50x8TC | CH14788 | PTO seal 650 | |
| 38x50x8TC | M800723 | Seal, horizontal shaft inner 1050 | |
| 38x52x9TC | CH11143 | Seal, spindle 850, 950, 1050 | |
| 38x55x8TC | CH14809 | PTO seal 750 | |
| 38x62x9TC | CH18637 | PTO seal 1450, 1650 | |
| 40x55x8TC | CH14620 | PTO seal 655, 670, 755, 756, 770, 855, 856 | |
| 40x55x8TC | CH14620 | Seal, front differential housing 750, 850 | |
| 40x62x19TC | CH10879 | Seal, front hub, 2wd 870, 970, 990, 1070 | |
| 40x62x8TC | CH13067 | Seal, trans main shaft 850, 950, 1050 | |
| 42x60x9TC | CH10921 | Seal, drop box 1250, 1450, 1650 | |
| 42x60x9TC | CH10921 | PTO seal 850, 870, 950, 970, 1050, 1070, 1250 | |
| 42x80x9TCV | CH10960 | Seal, brake shaft 850 | |
| 44x57x11.5TC | CH14642 | Seal, front knuckle 650 | |
| 45x62x9TC | CH13163 | Seal, front differential housing 950, 1050 | |
| 45x68x9TC | AL38095 | Seal, rear axle 900HC | Old # M800118 |
| 50x68x12.5 | CH14665 | Seal, stub axle 750, 850 | |
| 55x78x12TC | CH11227 | Seal, brake shaft 950 | |
| 60x80x12TC | CH11329 | Seal, rear axle 850 | |
| 64x80x13TC | CH19161 | Seal, lower knuckle 950, 1050 | |
| 65x88x05TC | CH13179 | Seal, stub axle dust 950, 1050 | |
| 65x88x12TC | CH13178 | Seal, stub axle 950, 1050 | |
| 75x100x13SC | CH18877 | Seal, rear axle inner 1650 | |
| 75x100x13TC | CH11230 | Seal, rear axle 950, 1050 | |
| 75x100x7TC | CH11231 | Seal, rear axle dust 950, 1050 | |
| 90x115x13TC | CH18878 | Seal, rear axle outer 1650 | |
| AS-4328 | M804187 | Seal, front knuckle 870 | |
| AS-4447 | CH14691 | Seal, rear axle 650, 670, 750, 770; MFWD stub axle 670 770 | |