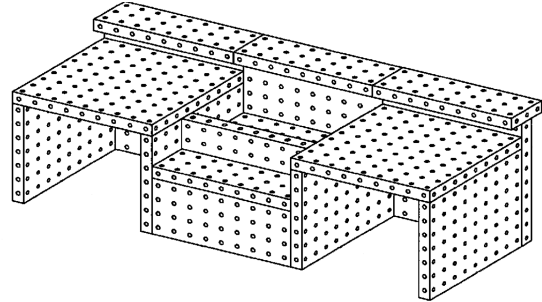
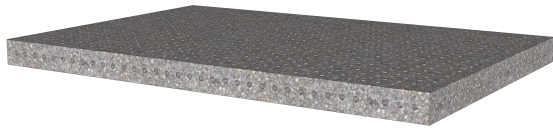
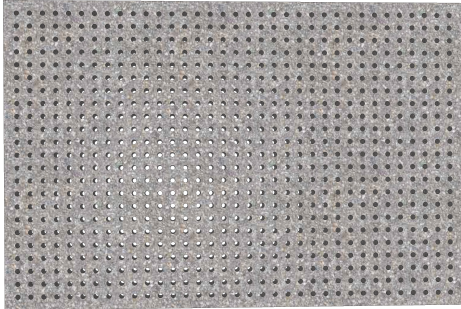


PegRock™ Modular Panels

OUTDOOR KITCHENS, STRUCTURES AND MORE

UNIVERSAL MODULAR CONSTRUCTION PANELS



PegRock™ is the first modular construction system for outdoor, light-duty structures (outdoor kitchens, etc.) that can achieve large scale since it can be easily sold through commercial and retail outlets (including big box retail)

This is because it is the only modular system that is easy to assemble *but is also* easy to produce, ship, stock and sell.
See a video of a prototype [here](#)

- **SIMPLER TO SELL** than competing modular options
 - 1) compact and has only 1 or 2 sizes to stock
 - 2) no specialized skills/tools/fasteners/large equipment to assemble
 - 3) accommodates all designs easily and
 - 4) can be sold without a lot of specialized product knowledge
- **BROAD RANGE OF APPLICATIONS** - not just a niche product
- **COSTS LESS** than traditional and modular options
- **FLEXIBLE** as traditional methods and much more flexible than other modular options.
- **EASILY MODIFIED ON-SITE** to any size or shape
- **ATTRACTIVE TO PROFESSIONALS AND DIY'S**

- **WORKS WITH ANY TYPE OF**
 - **FINISH/DESIGN** (high end, basic, custom, kit, etc.) or
 - **FACING** (stone, man-made stone, brick, stucco, etc.) and
 - **APPLIANCES**
- **LIGHTWEIGHT, WEATHERPROOF** and **FIREPROOF**
- **PRODUCT EXPANSION OPPORTUNITIES** with customized fasteners, etc.
- **ROBUST PRODUCT SUPPORT** is easier to provide since PegRock is so simple. Planning deep resources for plans/information (Google Sketchup) and cultivating a community familiar with and excited about the product by creating an online forum devoted to the product (see www.fornobravo.com/forum/ for an example)
- **SEEKING TO LICENSE PEGROCK** in the US and internationally

PegRock LLC
MODULAR
CONSTRUCTION
SYSTEMS

241 West 23rd, 2nd Floor
New York, New York 10011

President/CEO: Mark Graham
Office: 212-414-0553
Cell: 212-960-8414
mark.graham@PegRock.com
www.PegRock.com